

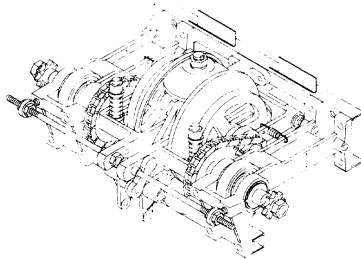
# 2002 Dixon Zeeter *Classic*



## *Classic*

Power Unit w/Deck P/N 670

Specifications		ZTR 4423	Classic
Turning Radius		Zero	Zero
Height of Cut (APPROX.)		1.5" to 3.5"	1.5" to 4"
Width of Cut		42" (3 Blades)	42" (3 Blades)
Width (DEFLECTOR RETRACTED)		46"	46"
Overall Width		55"	55"
Weight (APPROX.)		520 lbs.	480 lbs.
Tires	Front	11 X 4.0 X 5	11 X 4.0 X 5
	Rear	18 X 8.5 X 8	18 X 8.5 X 8
Blade Clutch		Electric	Electric
Engine		15.5HP Vanguard Briggs & Stratton	13.5HP Intek Briggs & Stratton
Fuel Capacity		2.7 gallons (1 Tank)	
Drive		"Z" Drive Transaxle	Standard Drive Transaxle
All models feature electric start. All specifications subject to change without notice.			



2002 Attachments	4423	Classic
Blower (Requires Bagger, ClamShell or Cart)	450	214
Bagger (Requires Blower)	677	232
Cart (Requires Blower)	241	241
Clam Shell Grass Catcher (Requires Blower)	580	N/A
Mulchers	384	384
Cover	50	50
Snow Blade	156	156
Snow Chains	28	28
Wheel Weights	26	26
Weight Box Kit	411	411
Broomer Attach Kit	579	579
Broomer without Attach KIT	545	545
Assist Bar	641	N/A
Handy Lever	640	N/A

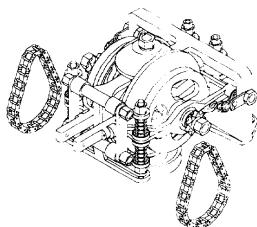
**DIXON® ZTR®**

*Classic*

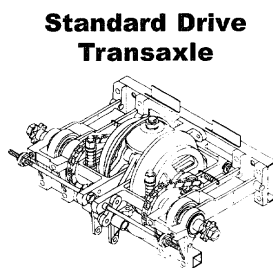
## 4000 Series Model History

MODEL	YEARS	Description
ZTR1	1974	8HP Briggs & Stratton
ZTR2	1974	8HP Briggs & Stratton
ZTR3	1974	8HP Briggs & Stratton
421	1974-1977	8HP Briggs & Stratton
422	1974 -1982	8HP Briggs & Stratton
423	1974-1976	8HP Briggs & Stratton/Pull Start
424	1978-1986	11HP Briggs & Stratton/Round Headlights
425	1983-1984	11 HP Briggs & Stratton/Rear Discharge
426	1983-1985	11HP Briggs & Stratton
427	1986-1988	12.5 HP Kawasaki
428	1987-1993	12HP Briggs & Stratton
429	1989-1993	14 HP Kawasaki (89-90) 14 HP Kohler (1991-93)
4421	1994-1997	13 HP Diamond Series Briggs & Stratton
4422	1994-1996	14 HP Kohler Command Pro Series
4423	1997-2002	14 HP Briggs & Stratton Vanguard (1997) 15 HP Briggs & Stratton Vanguard (98-00) 15.5 HP Briggs & Stratton Vanguard (01-02)
4424	1997-1998	15 HP Kohler /Z-Drive
4425	1999	15HP Briggs & Stratton/Anniversary Edition
4426	1999	16 HP Kohler
Classic	2002	13.5 Briggs & Stratton Intek

1991 = First year for two piece body  
 1992 & Previous Decks = Metal deflector  
 1993 & Forward Decks = Plastic deflector  
 1993 Deck change/Shortened discharge  
 1983 & Previous = Manual deck engagement  
 1984 & Forward = Electric clutch engagement  
 1986 & Previous = Round headlights  
 1987 & Forward = Rectangle headlights  
 Levers come straight up in the center = Standard Drive Transaxle  
 Levers fold out = Z-Drive Transaxle



**Z-Drive Transaxle**



**Standard Drive Transaxle**

## 4000 Serial Number Range

YEAR	BEGIN - END	YEAR	BEGIN - END
1974	00454 - 00825	1986	30160 - 33295
1975	00826 - 01686	1987	33296 - 26323
1976	01687 - 03290	1988	36324 - 40999
1977	03301 - 04741	1989	41000 - 44354
1978	04742 - 07147	1990	44355 - 48252
1979	07148 - 11874	1991	48253 - 52841
1980	11875 - 15526	1992	52842 - 57029
1981	15527 - 17738	1993	57030 - 61582
1982	17739 - 20708	1994	61583 - 67778
1983	20709 - 23722	1995	67779 - 74455
1984	23723 - 26970	1996	74456 - 81253
1985	26971 - 30159	1997	81254 - 88339

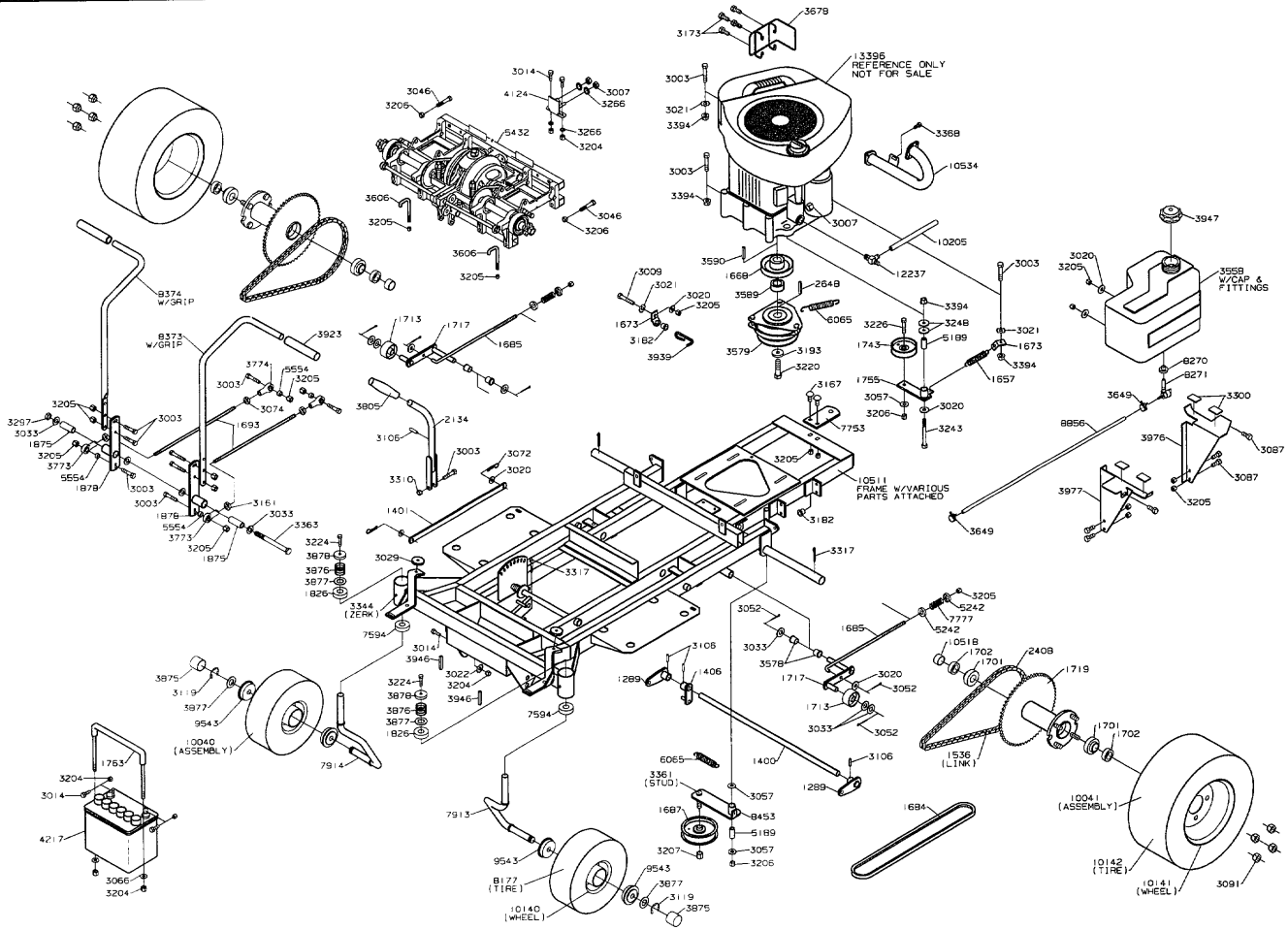
YEAR	MODEL	BEGIN - END	YEAR	MODEL	BEGIN END
1998	4423	88340 - 91151	2000	4423	92849 - 95342
1998	4424	88275 - 91173	2001	4423	95343 - 97143
1999	4423	91152 - 92848	2002	4423	97144 -
1999	4425	00000 - 00500	2002	Classic	97527
1999	4426	91174 - 92848			

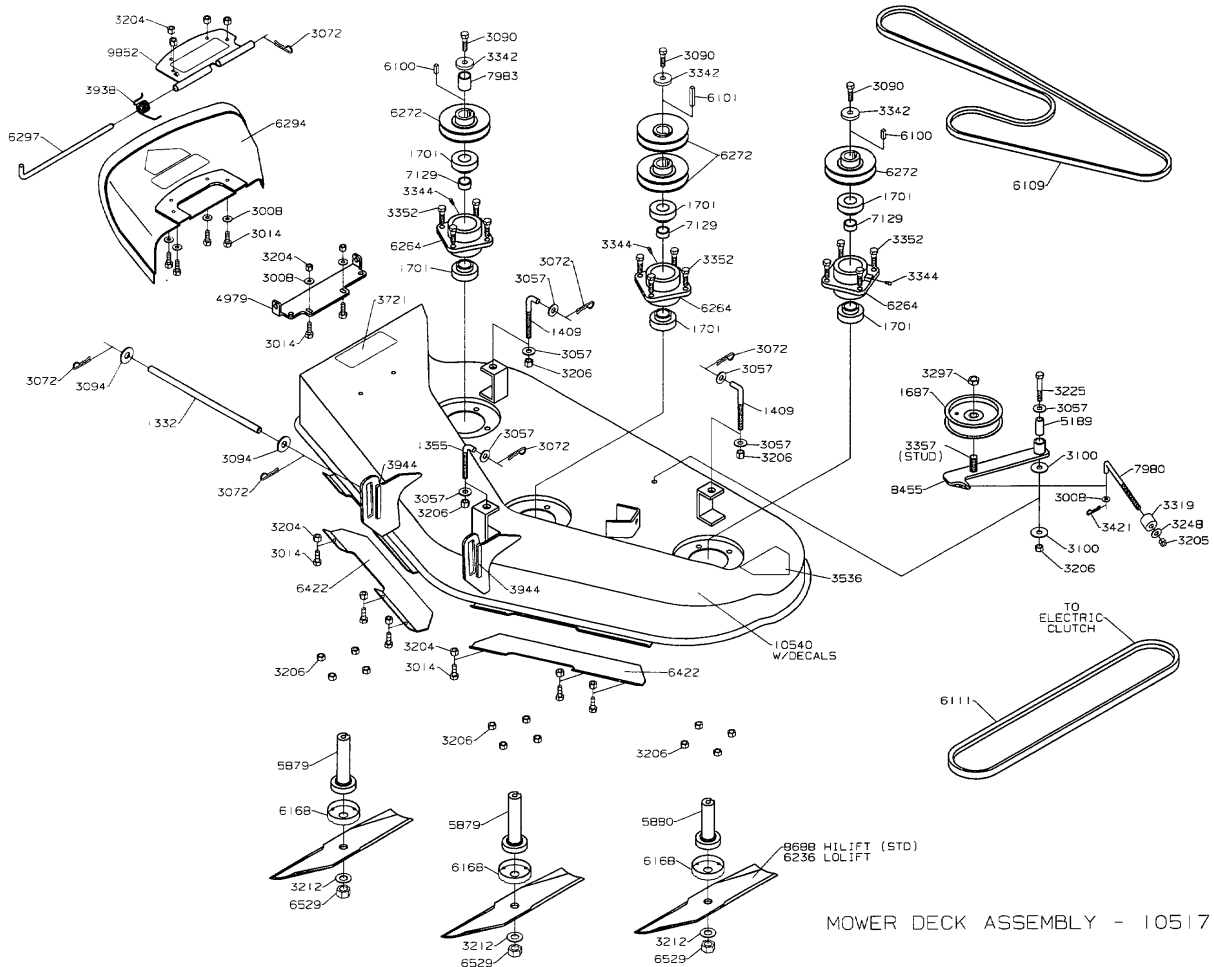


MODEL YEAR 2002

# Classic

CHASSIS





MOWER DECK ASSEMBLY - 10517

MODEL YEAR 2002

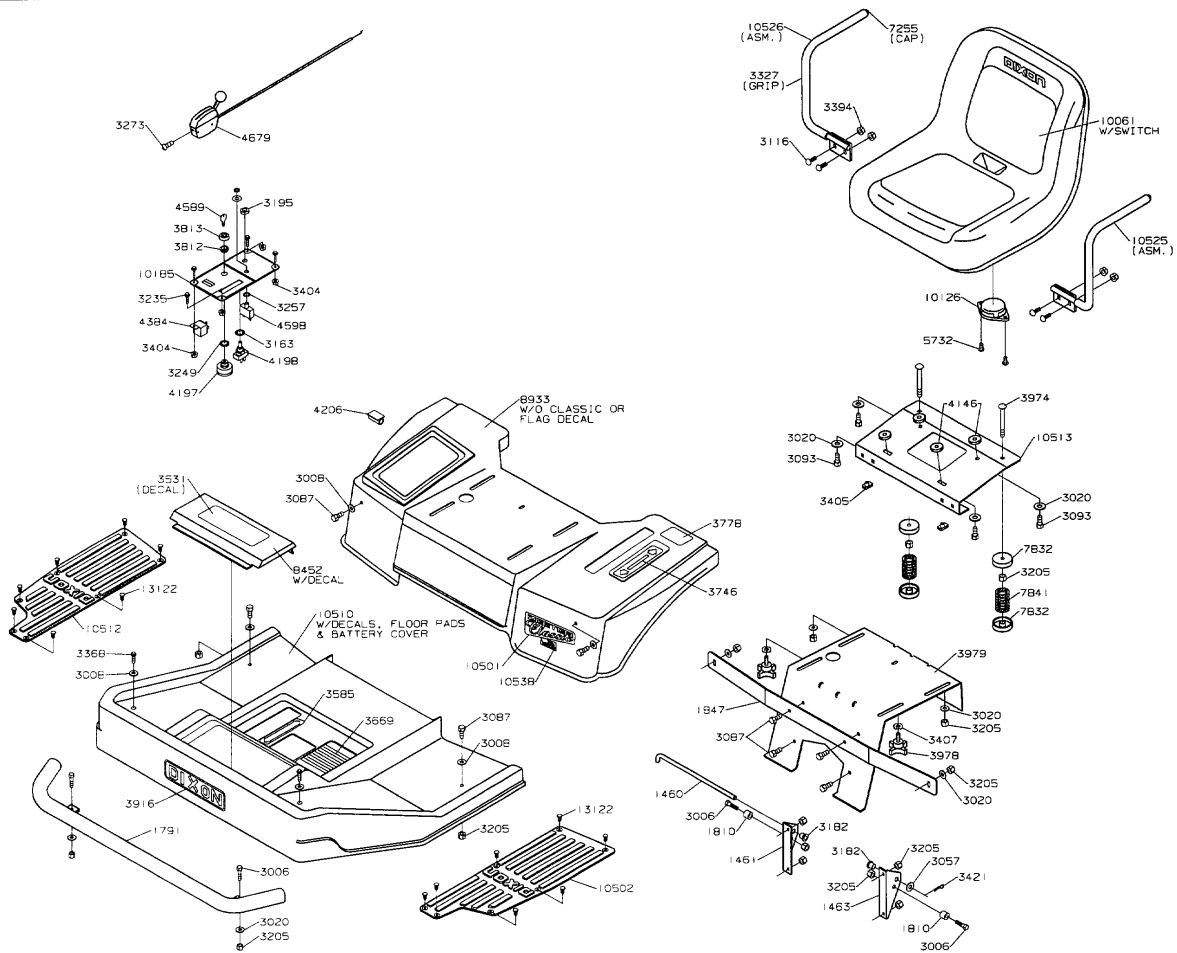
*Classic*

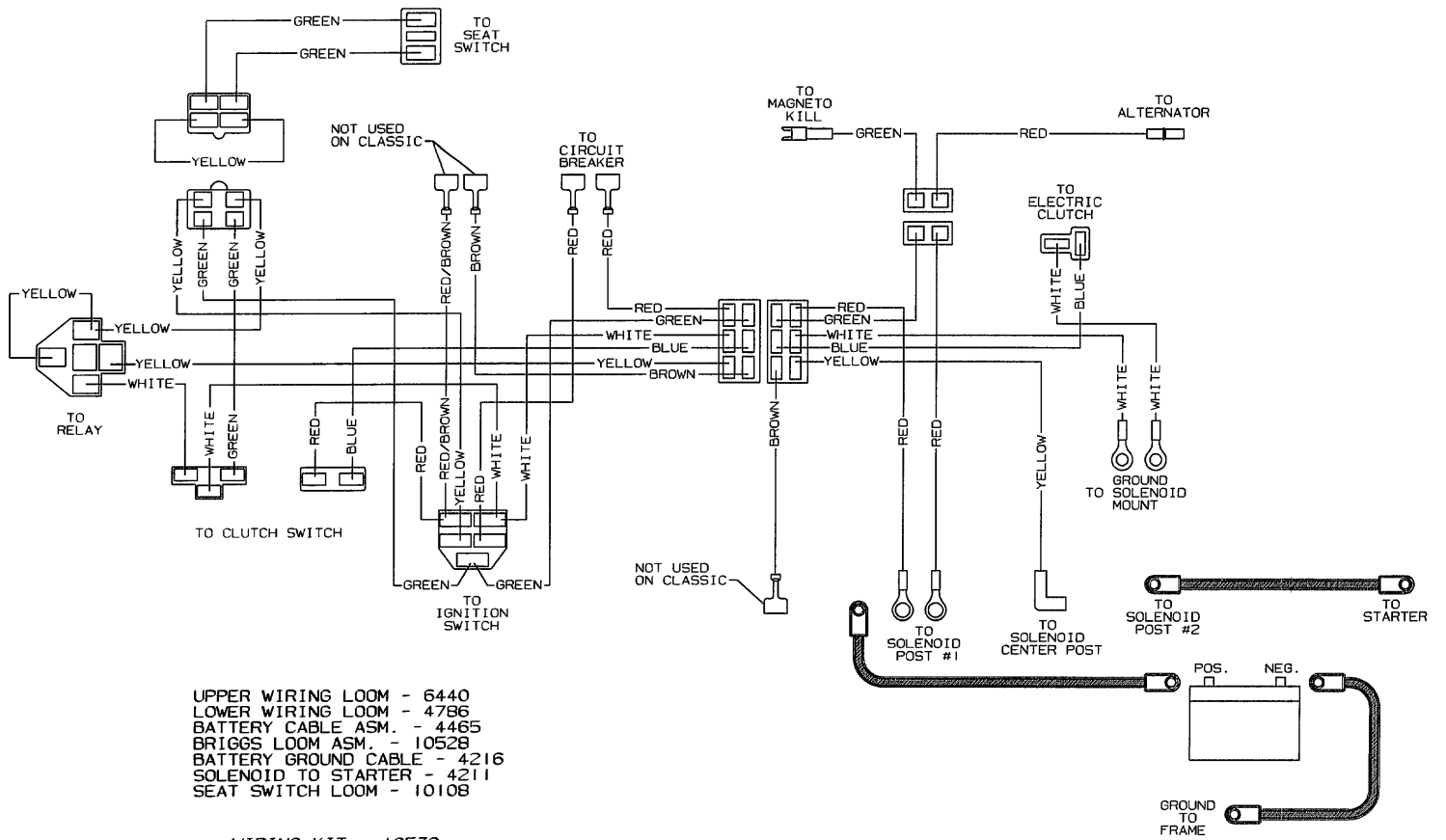
42" MOWER DECK

MODEL YEAR 2002

# Classic

BODY





MODEL YEAR 2002

*Classic*

WIRING

