



Model	GRIZZLY 50/60	GRIZZLY 50/60	GRIZZLY 50/60
<b>Engine</b>	Kohler	Honda	Kohler
Type	Command Pro	GXV	Command Pro
Horsepower @ 3600 RPM	23	24	25
Cylinders	2	2	2
Displacement	674 cc (41 cu. in.)	670 cc (40.9 cu. in.)	725 cc (44 cu. in.)
Bore x Stroke	80 mm x 67 mm (3.15" x 2.64")	77 mm x 72 mm (3.0" x 2.8")	83 mm x 67 mm (3.27" x 2.64")
Oil Capacity	2 qts. (1.89 liters)	2.6 qts. (2.46 liters)	2 qts. (1.89 liters)
Lubrication	Full Pressure Lube	Full Pressure Lube	Full Pressure Lube
Oil Filter	Disposable Canister	Disposable Canister	Disposable Canister
Air Cleaner	Heavy Duty Commercial Canister	Heavy Duty Commercial Canister	Heavy Duty Commercial Canister
Ignition	Electronic	Electronic	Electronic
Starter	12 v. w/ key & shift solenoid	12 v. w/ key & solenoid	12 v. w/ key & shift solenoid
Electrical System	15 amp DC regulated	20 amp DC regulated	15 amp DC regulated
Interlock Safety Switch	Seat/Traction Drive/Mower	Seat/Traction Drive/Mower	Seat/Traction Drive/Mower
Battery Capacity	12 V. / CCA 260	12 V. / CCA 340	12 V. / CCA 340
Fuel Tank Capacity	11.5 Gal. (43.5 liters)	11.5 Gal. (43.5 liters)	11.5 Gal. (43.5 liters)
Mounting	Isolators	Isolators	Isolators
<b>Transmission</b>			
Make	Parker	Parker	Parker
Type	H1 Pumps	H1 Pumps	H1 Pumps
Final Drive	TJ Wheel Motors	TJ Wheel Motors	TJ Wheel Motors
Transmission Oil	Dixon Synthetic	Dixon Synthetic	Dixon Synthetic
Forward Speed	10	10	10
Park Brake	Ratchet	Ratchet	Ratchet

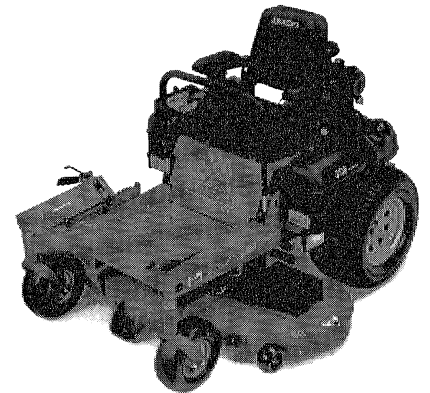
ZTR® DIXON®

Grizzly™ ZTR®

# ZTR® DIXON®

Grizzly™ ZTR®

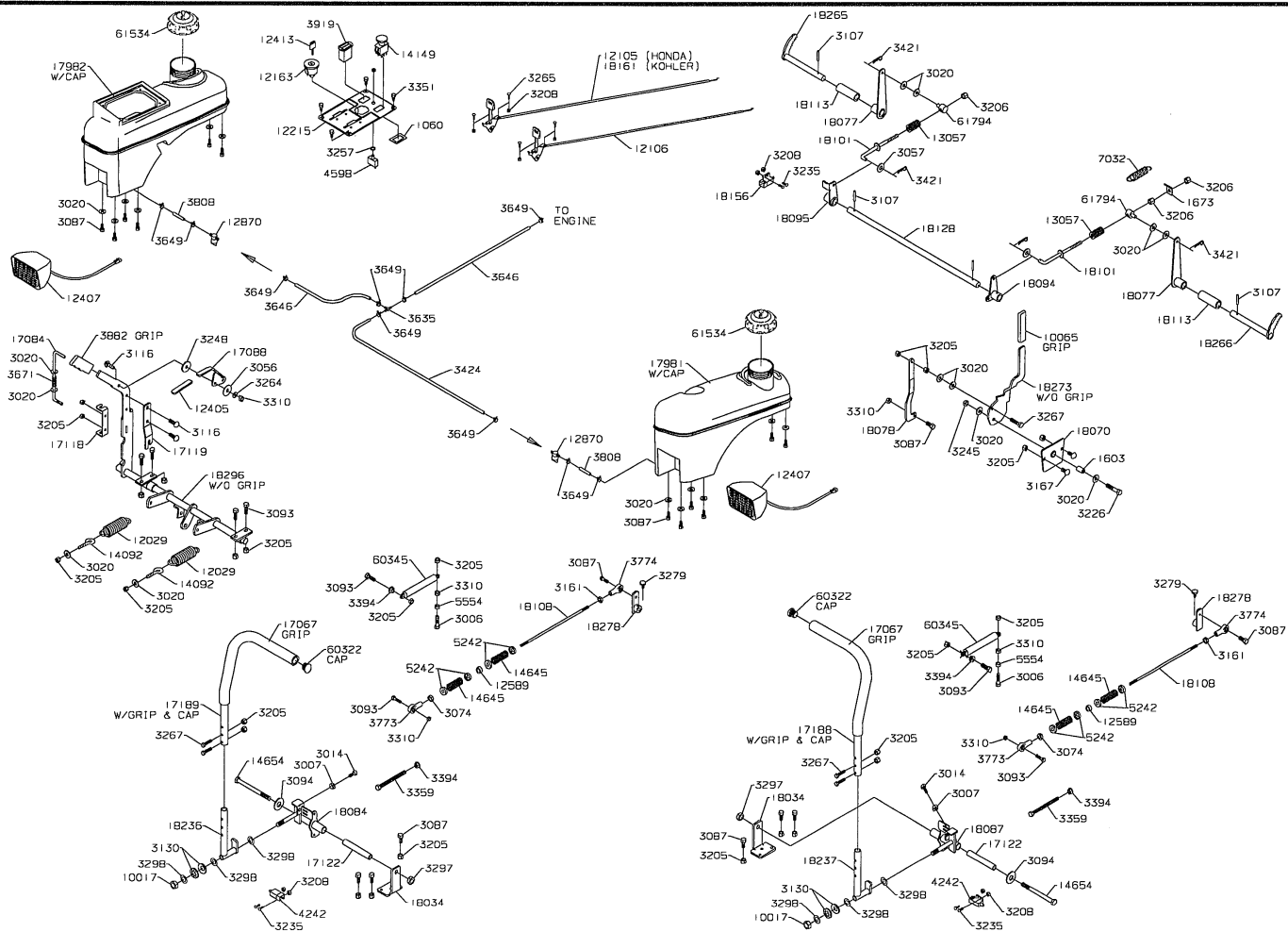
Model	GRIZZLY 50/60	GRIZZLY 50/60	GRIZZLY 50/60
<b>Engine</b>	Kohler	Honda	Kohler
<b>Other Features</b>			
Deck Cut Width	50" (127 cm)/60" (152.4 cm)	50" (127 cm)/60" (152.4 cm)	50" (127 cm)/60" (152.4 cm)
Deck Width w/Deflector Retracted	51" (129.5 cm)/63" (160.0 cm)	51" (129.5 cm)/63" (160.0 cm)	51" (129.5 cm)/63" (160.0 cm)
Overall Deck Width	60" (152.4 cm)/73" (185.4 cm)	60" (152.4 cm)/73" (185.4 cm)	60" (152.4 cm)/73" (185.4 cm)
Blades	3	3	3
Mower Cutting Height Range	1.5" to 5.0" (3.8 cm to 12.7 cm)	1.5" to 5.0" (3.8 cm to 12.7 cm)	1.5" to 5.0" (3.8 cm to 12.7 cm)
Mower Cutting Positions	8	8	8
Deck Weight	140 lbs./173 lbs.	140 lbs./173 lbs.	140 lbs./173 lbs.
Power Unit Weight	597 lbs. (270.8 kg)	597 lbs. (270.8 kg)	597 lbs. (270.8 kg)
Deck Construction	11 ga. Fabricated (3.04 mm)	11 ga. Fabricated (3.04 mm)	11 ga. Fabricated (3.04 mm)
Spindle	0.984" (25 mm)	0.984" (25 mm)	0.984" (25 mm)
Hub	Cast Iron	Cast Iron	Cast Iron
Anti Scalp Wheels	Standard	Standard	Standard
Steering Control	Twin Lever/Swing Out	Twin Lever/Swing Out	Twin Lever/Swing Out
Seat Cushion	High Density Foam w/susp	High Density Foam w/susp	High Density Foam w/susp
Seat Cover	Cordura	Cordura	Cordura
Seat Springs	Standard	Standard	Standard
Headlights	Standard	Standard	Standard
Side Trim Lights	Standard	Standard	Standard
Beverage Holder	Standard	Standard	Standard
Mower Clutch	Electric	Electric	Electric
Tires - Front	13 x 5.0 x 6 Smooth	13 x 5.0 x 6 Smooth	13 x 5.0 x 6 Smooth
Tires - Back	23 x 10.5 x 12 Turf	23 x 10.5 x 12 Turf	24 x 12 x 12 Turf
Turning Radius	Zero	Zero	Zero
<b>Warranty</b>			
Homeowner	3 Years	3 Years	3 Years
Commercial	3 Years parts, 2 Years labor	3 Years parts, 2 Years labor	3 Years parts, 2 Years labor
<b>Accessories</b>			
Mulching Kit	Yes	Yes	Yes
Grass Blower	Yes	Yes	Yes
Grass Catcher	No	No	No
Twin Bag Grass Collector	Yes	Yes	Yes
Grass Catcher Cart	Yes	Yes	Yes
Clam Shell Grass Catcher	Yes	Yes	Yes
Folding ROPS	Yes	Yes	Yes
Canopy for ROPS	Yes	Yes	Yes
Striping Kit	Yes	Yes	Yes
Snow Blower	Yes	Yes	Yes
Snow Blades	Yes	Yes	Yes
Wheel Weights/Chains	Yes	Yes	Yes





# MODEL YEAR 2005

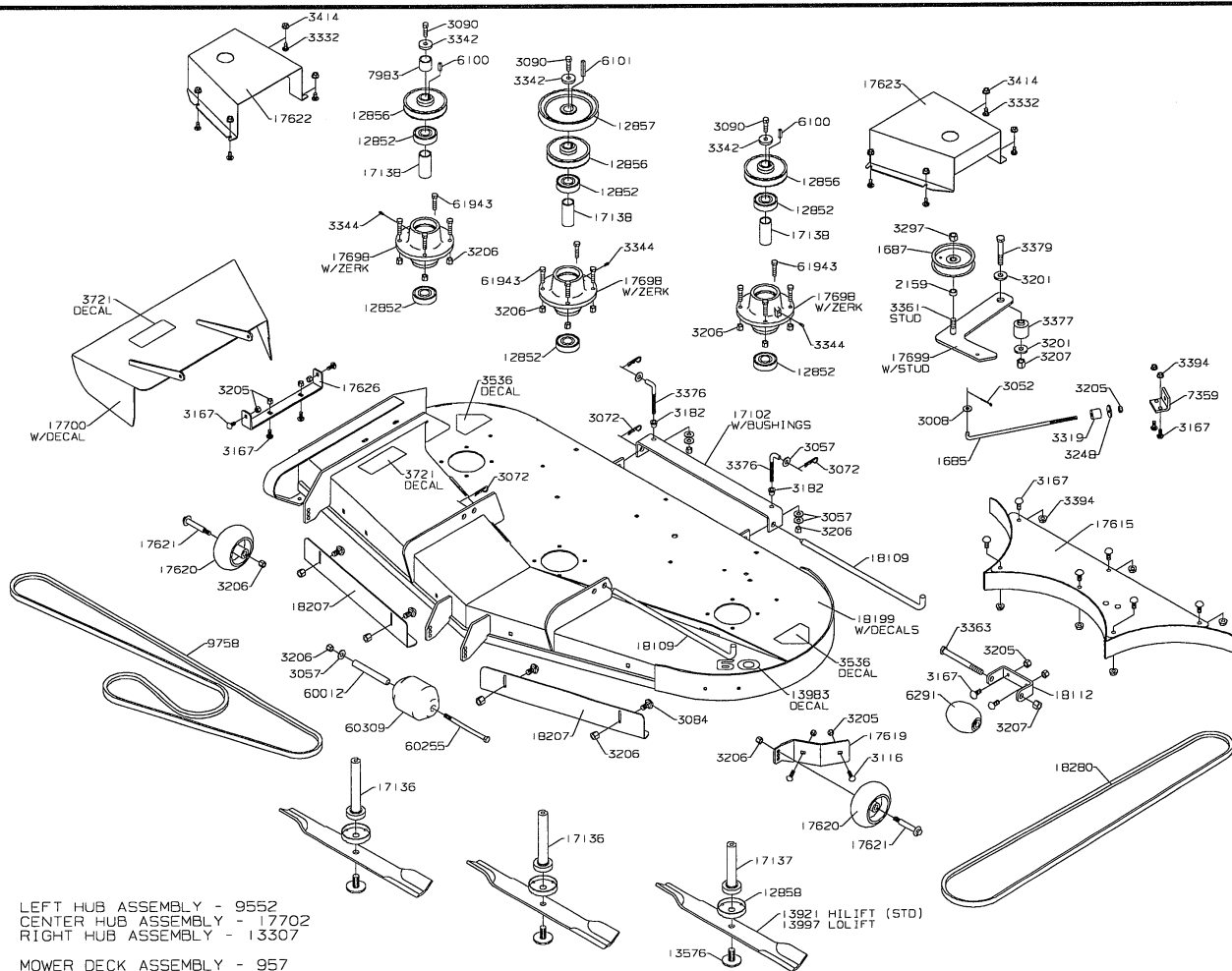
# GRIZZLY CONTROLS & TANKS



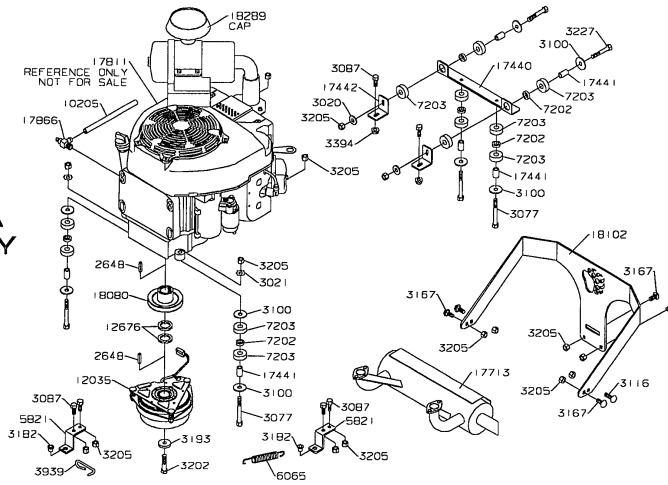


MODEL YEAR 2005

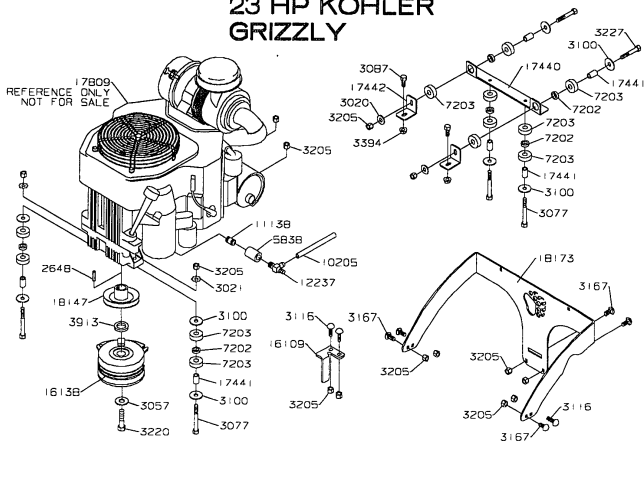
60" GRIZZLY MOWER DECK



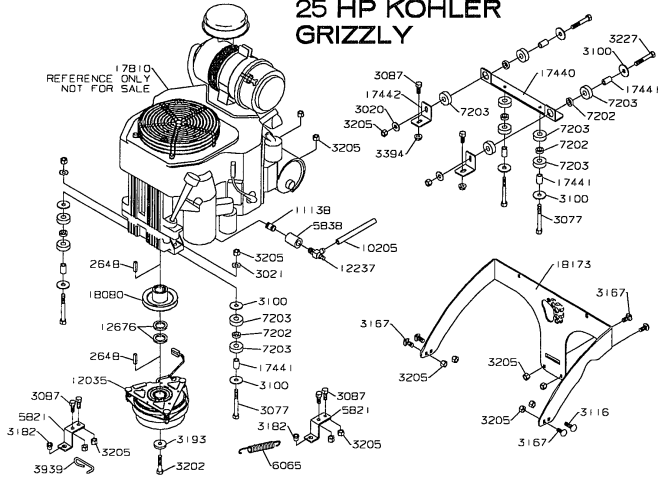
**HONDA  
GRIZZLY**



**23 HP KOHLER  
GRIZZLY**



**25 HP KOHLER  
GRIZZLY**

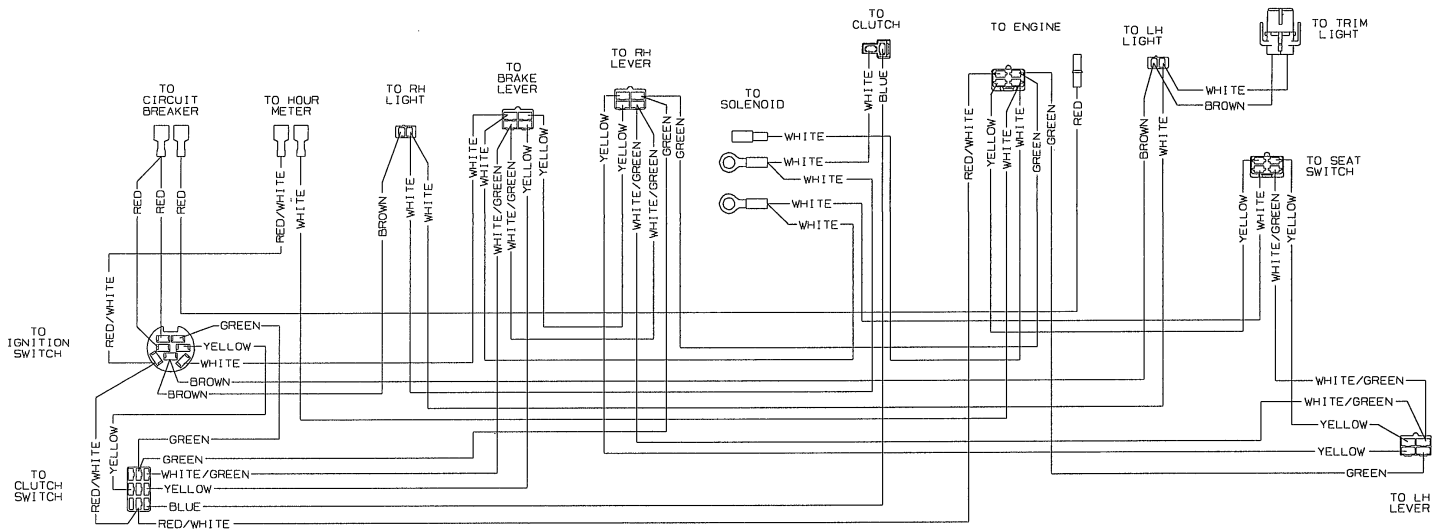


**MODEL YEAR 2005**

**GRIZZLY ENGINE RELATED PARTS**

MODEL YEAR 2005

GRIZZLY WIRING



- GRIZZLY WIRE LOOM - 18146
- ENGINE GROUND CABLE - 4216
- BATTERY GROUND CABLE - 10187
- BATTERY CABLE - 2110
- SEAT SWITCH PIGTAIL - 18298
- CLUTCH GROUND CABLE  
(23HP KOHLER ONLY) - 4216
- OIL PRESSURE SWITCH WIRE  
(HONDA ONLY) - 18175
- KOHLER ADAPTER - 18157
- HONDA ADAPTER - 18158
- CHARGE-N-HOLD WIRE HARNESS - 78012