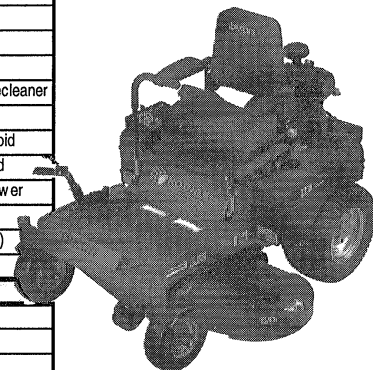




Model	KODIAK	KODIAK	KODIAK	KODIAK
Engine	Briggs & Stratton	Kohler	Kawasaki	Honda
Type	Vanguard	Command Pro	FH Series	GXV
Horsepower @ 3600 RPM	21	20	19	20
Cylinders	2	2	2	2
Displacement	627 cc (38.26 cu. in.)	672 cc (41.0 cu. in.)	675 cc (41.2 cu. in.)	614 cc (37.5 cu.in.)
Bore x Stroke	80 mm x 67 mm (2.97" x 2.75")	77mm x 67mm(3.03" x 2.64")	75.2 mm x 76 mm (2.9" x 3.0")	77mm x 68mm(3.0" x 2.6")
Oil Capacity	2 qts. (1.89 liters)	2 qts. (1.89 liters)	2 qts. (1.89 liters)	2.3 qts. (2.18 liters)
Lubrication	Full Pressure Lube	Full Pressure	Full Pressure Lube	Full Pressure
Oil Filter	Disposable Canister	Disposable Canister	Disposable Canister	Disposable Canister
Air Cleaner	Heavy Duty Commercial Canister	Heavy Duty Commercial Canister	Heavy Duty Commercial Canister	Paper Element w/ foam precleaner
Ignition	Electronic	Electronic	Electronic	Electronic
Starter	12 v. w/ key solenoid	12 v. w/ key & solenoid	12 v. w/ key & solenoid	12 v. w/ key & solenoid
Electrical System	16 amp DC regulated	15 amp DC regulated	13 amp DC regulated	20 amp DC regulated
Interlock Safety Switch	Seat/Traction Drive/Mower	Seat/Traction Drive/Mower	Seat/Traction Drive/Mower	Seat/Traction Drive/Mower
Battery Capacity	12 V. / CCA 340	12 V. / CCA-340	12 V. / CCA 340	12 V. / CCA-340
Fuel Tank Capacity	11.5 Gal. (43.5 liters)	11.5 Gal. (43.5 liters)	11.5 Gal. (43.5 liters)	11.5 Gal. (43.5 liters)
Mounting	Isolators	Isolators	Isolators	Isolators
Transmission				
Make	Parker	Parker	Parker	Parker
Type	H1 Pumps	H1 Pumps	H1 Pumps	H1 Pumps
Final Drive	TE Wheel Motors	TE Wheel Motors	TE Wheel Motors	TE Wheel Motors
Transmission Oil	Dix on Synthetic	Dix on Synthetic	Dix on Synthetic	Dix on Synthetic
Forward Speed	8 mph (12.9 kmph)	8 mph (12.9 kmph)	8 mph (12.9 kmph)	8 mph (12.9 kmph)
Park Brake	Rachet	Rachet	Rachet	Rachet



ZTR® DIXON®

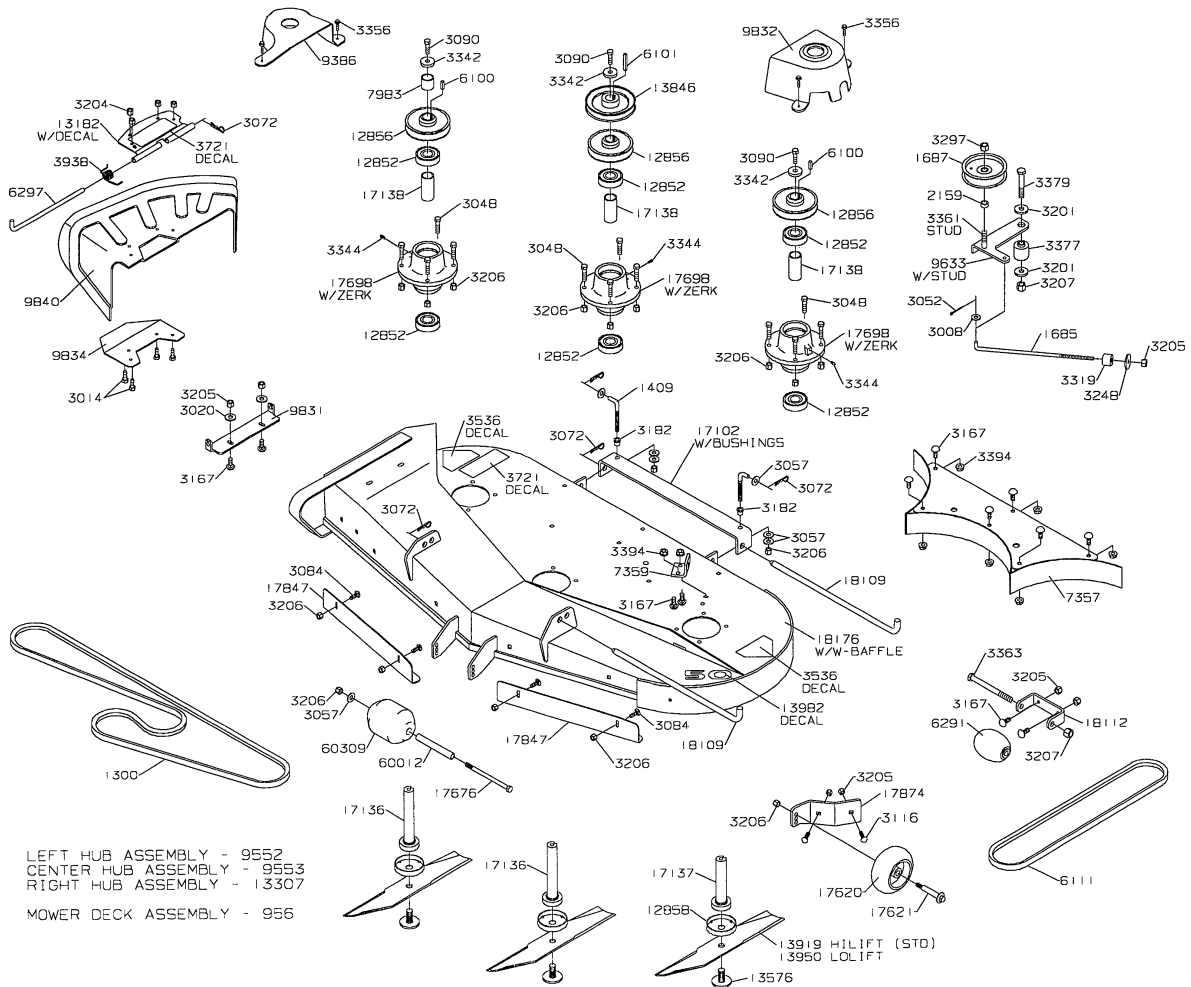
Kodiak™ ZTR®



ZTR® DIXON®

Kodiak™ ZTR®

Model	KODIAK	KODIAK	KODIAK	KODIAK
Engine	Briggs & Stratton	Kohler	Kawasaki	Honda
Other Features				
Deck Cut Width	50" (127 cm)	50" (127 cm)	50" (127 cm)	50" (127 cm)
Deck Width w/Deflector Retracted	51" (129.5 cm)	51" (129.5 cm)	51" (129.5 cm)	51" (129.5 cm)
Overall Deck Width	60" (152.4 cm)	60" (152.4 cm)	60" (152.4 cm)	60" (152.4 cm)
Blades	3	3	3	3
Mower Cutting Height Range	1.5" to 5.0" (3.8 cm to 12.7 cm)	1.5" to 5.0" (3.8 cm to 12.7 cm)	1.5" to 5.0" (3.8 cm to 12.7 cm)	1.5" to 5.0" (3.8 cm to 12.7 cm)
Mower Cutting Positions	8	8	8	8
Deck Weight	140 lbs. (63.5 kg)	140 lbs. (63.5 kg)	140 lbs. (63.5 kg)	140 lbs. (63.5 kg)
Power Unit Weight	597 lbs. (270.8 kg)	597 lbs. (270.8 kg)	597 lbs. (270.8 kg)	597 lbs. (270.8 kg)
Deck Construction	11 ga. Fabricated (3.04 mm)	11 ga. Fabricated (3.04 mm)	11 ga. Fabricated (3.04 mm)	11 ga. Fabricated (3.04 mm)
Spindle	0.984" (25 mm)	0.984" (25 mm)	0.984" (25 mm)	0.984" (25 mm)
Hub	Cast Iron	Cast Iron	Cast Iron	Cast Iron
Anti Scalp Wheels	Standard	Standard	Standard	Standard
Steering Control	Twin Lever/Swing Out	Twin Lever/Swing Out	Twin Lever/Swing Out	Twin Lever/Swing Out
Seat Cushion	High Density Foam	High Density Foam	High Density Foam	High Density Foam
Seat Cover	Cordura	Cordura	Cordura	Cordura
Seat Springs	Standard	Standard	Standard	Standard
Headlights	Standard	Standard	Standard	Standard
Side Trim Lights	Standard	Standard	Standard	Standard
Beverage Holder	Standard	Standard	Standard	Standard
Mower Clutch	Electric	Electric	Electric	Electric
Tires - Front	13 x 5.0 x 6 Smooth	13 x 5.0 x 6 Smooth	13 x 5.0 x 6 Smooth	13 x 5.0 x 6 Smooth
Tires - Back	20 x 10 x 10 Turf	20 x 10 x 10 Turf	20 x 10 x 10 Turf	20 x 10 x 10 Turf
Turning Radius	Zero	Zero	Zero	Zero
Warranty				
Homeowner	3 Years	3 Years	3 Years	3 Years
Commercial	3 Years parts, 2 Years labor	3 Years parts, 2 Years labor	3 Years parts, 2 Years labor	3 Years parts, 2 Years labor
Accessories				
Mulching Kit	Yes	Yes	Yes	Yes
Grass Blower	Yes	Yes	Yes	Yes
Grass Catcher	No	No	No	No
Twin Bag Grass Collector	Yes	Yes	Yes	Yes
Grass Catcher Cart	Yes	Yes	Yes	Yes
Clam Shell Grass Catcher	Yes	Yes	Yes	Yes
Folding ROPS	Yes	Yes	Yes	Yes
Canopy for ROPS	Yes	Yes	Yes	Yes
Striping Kit	Yes	Yes	Yes	Yes
Snow Blower	Yes	Yes	Yes	Yes
Snow Blades	Yes	Yes	Yes	Yes
Wheel Weights/Chains	Yes	Yes	Yes	Yes

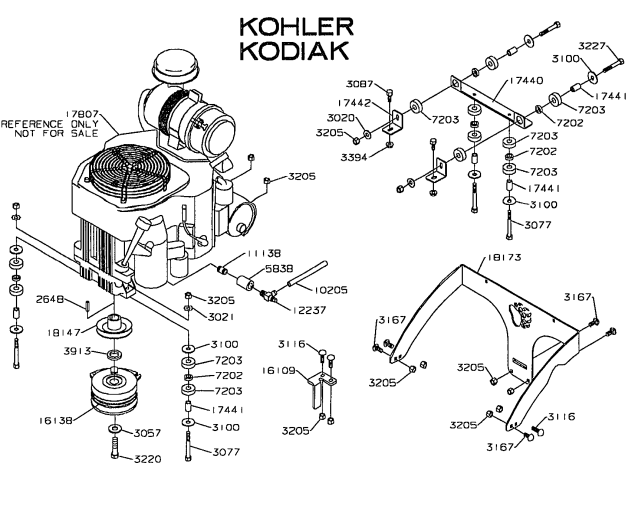
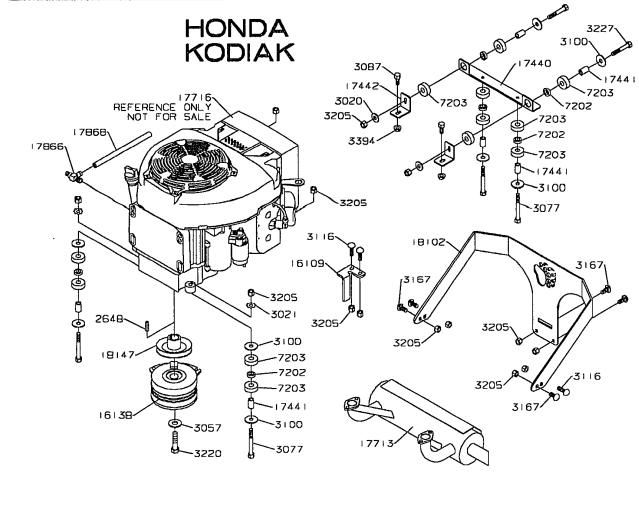
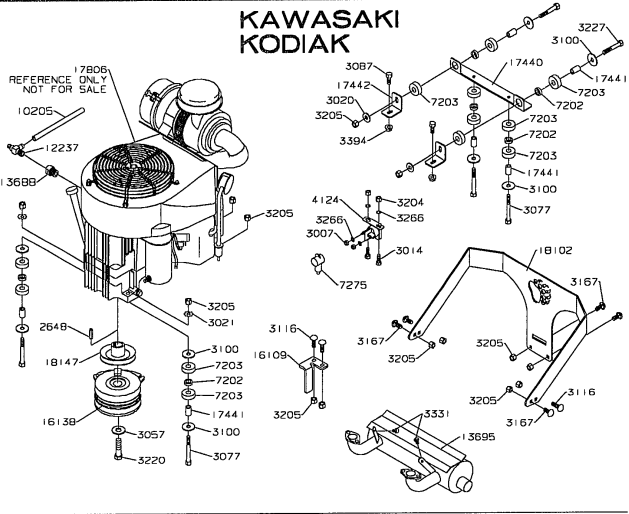
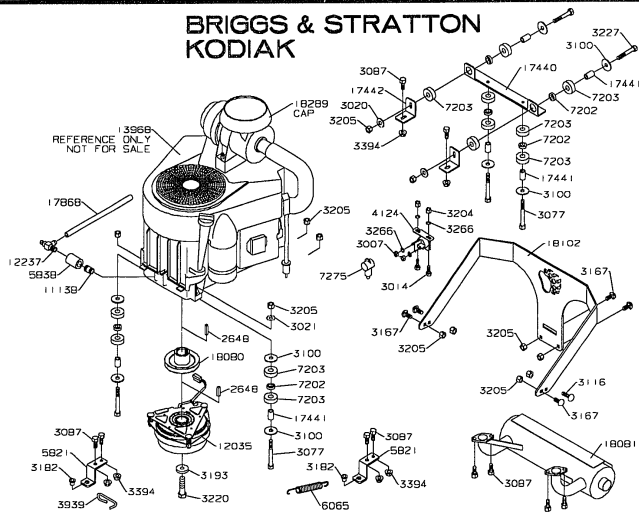


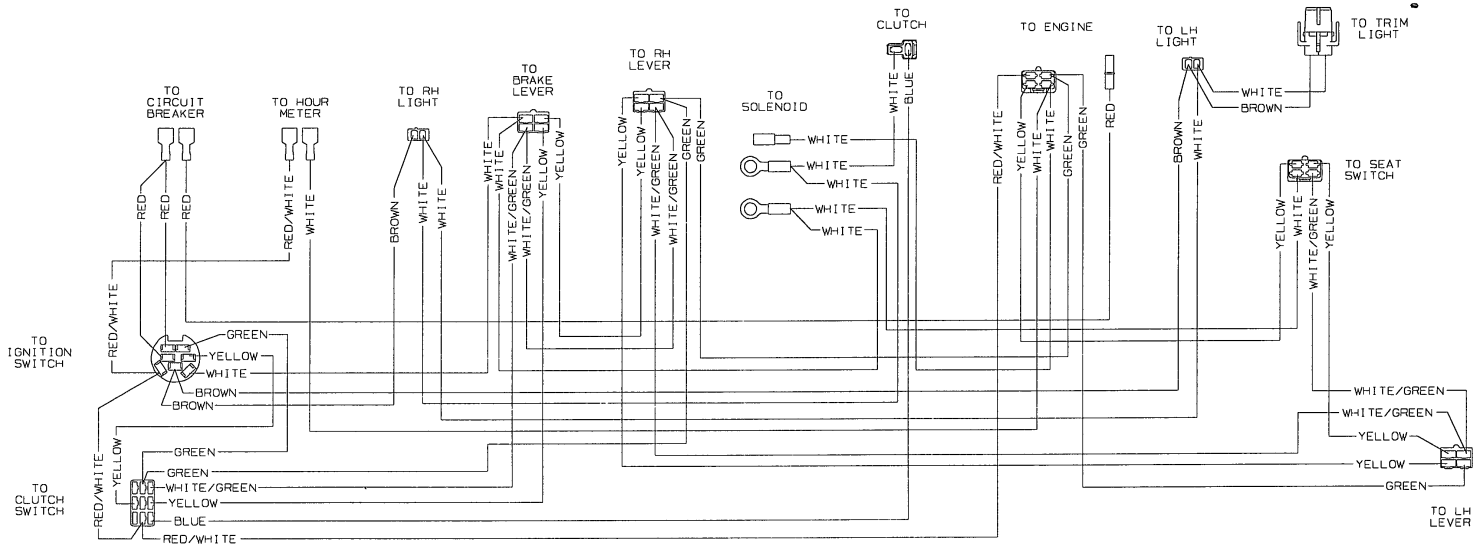
MODEL YEAR 2005

50" KODIAK MOWER DECK

MODEL YEAR 2005

KODIAK ENGINE RELATED PARTS





KODIAK WIRE LOOM - 18146
 ENGINE GROUND CABLE - 4216
 BATTERY GROUND CABLE - 10187

CLUTCH GROUND CABLE
 KAWASAKI, KOHLER & HONDA - 4216

BATTERY CABLE
 BRIGGS & KAWASAKI - 16170
 KOHLER & HONDA - 2110

SOLENOID TO STARTER CABLE
 BRIGGS & KAWASAKI - 17682

OIL PRESSURE SWITCH WIRE
 BRIGGS & KAWASAKI - 18163
 HONDA - 18175

KOHLER ADAPTER - 18157
 HONDA ADAPTER - 18158
 KAWASAKI ADAPTER - 18159
 BRIGGS ADAPTER - 18160
 CHARGE-N-HOLD WIRE HARNESS - 78012

MODEL YEAR 2005

KODIAK WIRING