



Ram ZTR 42 44 50



Ram 44|50 ZTR MAG

Model	RAM 44/50 MAG	RAM 44/50 MAG	RAM 44/50 MAG	RAM ZTR 42	RAM ZTR 44/50
Engine	Kohler	Kawasaki	Honda	Briggs	Briggs
Type	Command Pro	FH	GXV	ELS	ELS
Horsepower @ 3600 RPM	20	19	20	18	25
Cylinders	2	2	2	1	2
Displacement	672 cc (41.0 cu. in.)	675 cc (41.2 cu. in.)	614 cc (37.5cu. In.)	502 cc (30.6 cu. in.)	725 cc (44.0 cu. in.)
Bore x Stroke	77 mm x 67 mm (3.03" x 2.64")	75.2 mm x 76.0 mm (2.90" x 3.00")	77 mm x 66 mm (3.0" x 2.6")	90.7 mm x 77.7 mm (3.57" x 3.06")	79.2 mm x 73.4 mm (3.12" x 2.89")
Oil Capacity	2 qts. (1.89 liters)	2 qts. (1.89 liters)	2.3 qts. (2.18 liters)	1.5 qts. (1.42 liters)	2 qts. (1.89 liters)
Lubrication	Full Pressure	Full Pressure	Full Pressure	Full Pressure	Full Pressure
Oil Filter	Disposable Canister	Disposable Canister	Disposable Canister	Disposable Canister	Disposable Canister
Air Cleaner	Paper Element w/ foam precleaner	Paper Element w/ foam precleaner	Paper Element w/ foam precleaner	Paper Element w/ foam precleaner	Paper Element w/ foam precleaner
Ignition	Electronic	Electronic	Electronic	Electronic	Electronic
Starter	12 v. w/ key & solenoid	12 v. w/ key & solenoid	12 v. w/ key & solenoid	12 v. w/ key & solenoid	12 v. w/ key & solenoid
Electrical System	15 amp DC regulated	13 amp DC regulated	20 amp DC regulated	16 amp DC regulated	16 amp DC regulated
Interlock Safety Switch	Seat/Traction Drive/Mower	Seat/Traction Drive/Mower	Seat/Traction Drive/Mower	Seat/Traction Drive/Mower	Seat/Traction Drive/Mower
Battery Capacity	12 V. / CCA-340	12 V. / CCA-340	12 V. / CCA-340	12 V. / CCA-340	12 V. / CCA-340
Fuel Tank Capacity	5.5 Gal. (20.8 liters)	5.5 Gal. (20.8 liters)	5.5 Gal. (20.8 liters)	5.5 Gal. (20.8 liters)	5.5 Gal. (20.8 liters)
Mounting	Isolators	Isolators	Isolators	Solid Mount	Isolators
Transmission					
Make	Hydro-Gear	Hydro-Gear	Hydro-Gear	Hydro-Gear	Hydro-Gear
Type	Charged IZT	Charged IZT	Charged IZT	IZT	IZT
Final Drive	Bevel/Spur Gear	Bevel/Spur Gear	Bevel/Spur Gear	Bevel/Spur Gear	Bevel/Spur Gear
Forward Speed	6.5 mph (10.5 kmph)	6.5 mph (10.5 kmph)	6.5 mph (10.5 kmph)	6.5 mph (10.5 kmph)	6.5 mph (10.5 kmph)
Park Brake	Ratchet	Ratchet	Ratchet	Ratchet	Ratchet

ZTR® DIXON®

RAM 44 MAG™/ RAM 50 MAG™/RAM ZTR® 42, 44 & 50



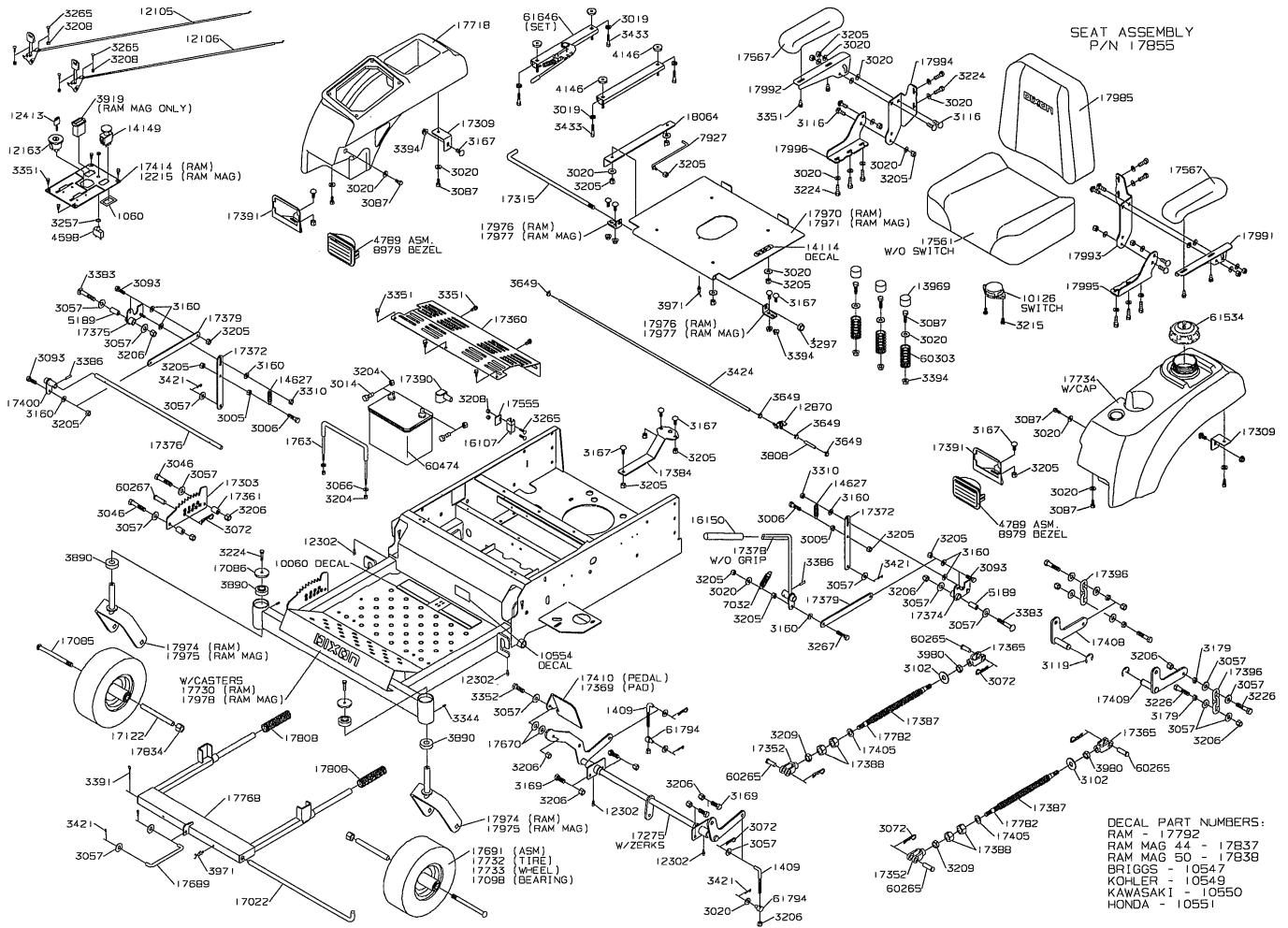
ZTR® DIXON®

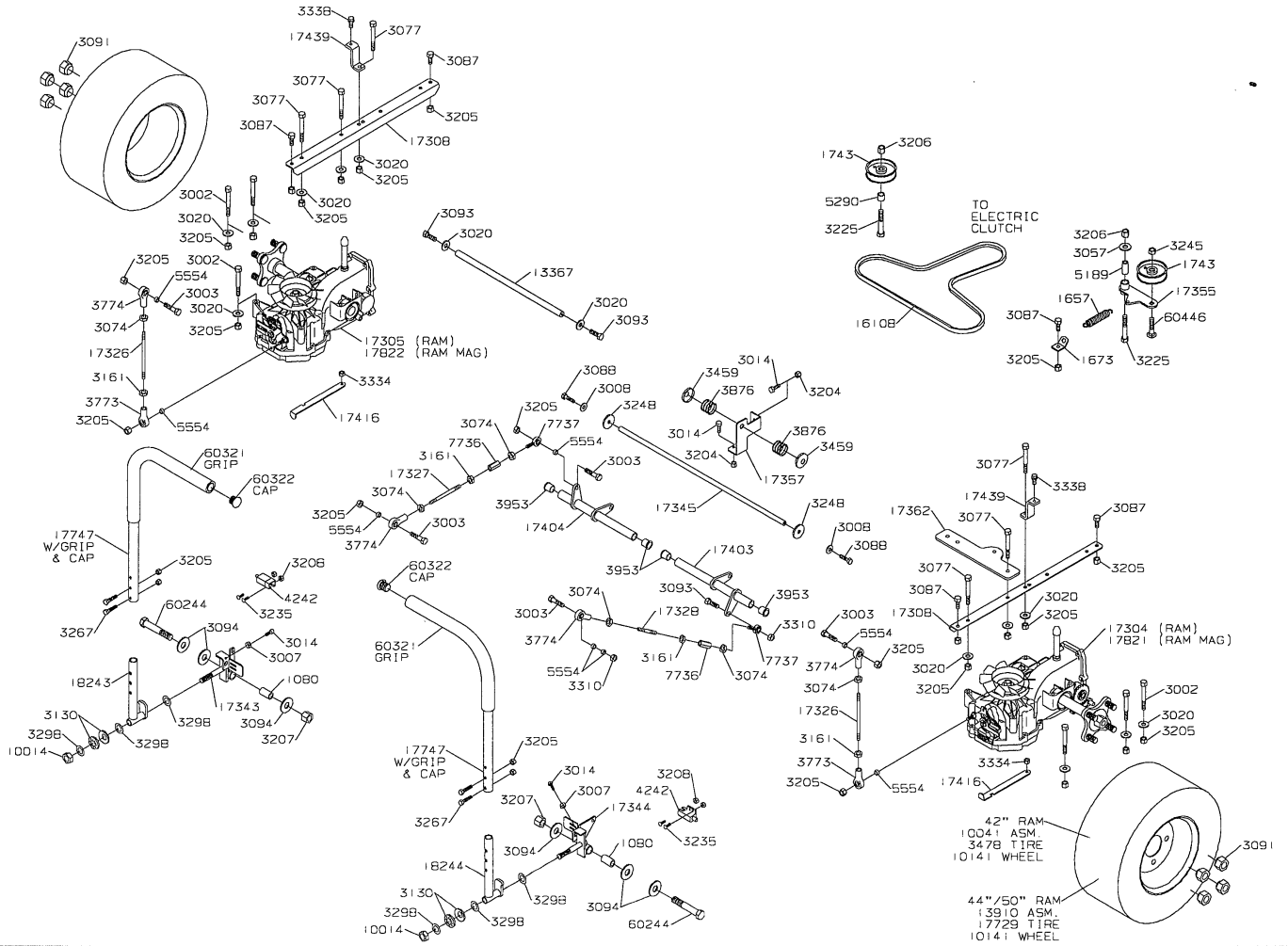
RAM 44 MAG™/ RAM 50 MAG™/RAM ZTR® 42, 44 & 50

Model	RAM 44/50 MAG	RAM 44/50 MAG	RAM 44/50 MAG	RAM ZTR 42	RAM ZTR 44/50
Engine	Kohler	Kawasaki	Honda	Briggs	Briggs
Other Features					
Deck Cut Width	44" (111.8 cm)/50" (127.0 cm)	44" (111.8 cm)/50" (127.0 cm)	44" (111.8 cm)/50" (127.0 cm)	42" (106.7 cm)	44" (111.8 cm)/60" (152.4 cm)
Deck Width w/Deflector Retracted	45" (114.3 cm)/51" (129.5 cm)	45" (114.3 cm)/51" (129.5 cm)	45" (114.3 cm)/51" (129.5 cm)	46" (116.8 cm)	45" (114.3 cm)/60" (152.4 cm)
Overall Deck Width	54" (137.2 cm)/60" (152.4 cm)	54" (137.2 cm)/60" (152.4 cm)	54" (137.2 cm)/60" (152.4 cm)	55" (139.7 cm)	54" (137.2 cm)/60" (152.4 cm)
Blades	3	3	3	3	3
Mower Cutting Height Range	1.5 - 4" (3.8 cm to 12.7 cm)	1.5 - 4" (3.8 cm to 12.7 cm)	1.5 - 4" (3.8 cm to 12.7 cm)	1.5 - 5" (3.8 cm to 12.7 cm)	1.5 - 5" (3.8 cm to 12.7 cm)
Mower Cutting Positions	9	9	9	9	9
Deck Weight	130 lbs. (59.0 kg)/140 lbs. (63.5 kg)	130 lbs. (59.0 kg)/140 lbs. (63.5 kg)	130 lbs. (59.0 kg)/140 lbs. (63.5 kg)	93 lbs. (42.2 kg)	130 lbs. (59.0 kg)/140 lbs. (63.5 kg)
Deck Lift	Foot operated with spring assist	Foot operated with spring assist	Foot operated with spring assist	Foot operated with spring assist	Foot operated with spring assist
Power Unit Weight	520 lbs. (235.9 kg)	520 lbs. (235.9 kg)	520 lbs. (235.9 kg)	510 lbs. (231.3 kg)	520 lbs. (235.9 kg)
Deck Construction	11 ga. Fabricated (3.04 mm)	11 ga. Fabricated (3.04 mm)	11 ga. Fabricated (3.04 mm)	13 ga. Stamped (2.28 mm)	11 ga. Fabricated (3.04 mm)
Spindle	0.984" (25.4 mm)	0.984" (25.4 mm)	0.984" (25.4 mm)	0.984" (25.4 mm)	0.984" (25.4 mm)
Hub	Cast Iron	Cast Iron	Cast Iron	Cast Iron	Cast Iron
Anti Scalp Wheels	Standard	Standard	Standard	Optional	Standard
Power Unit Frame	Welded 3" (7.6 cm) Tubular Steel	Welded 3" (7.6 cm) Tubular Steel	Welded 3" (7.6 cm) Tubular Steel	Welded 3" (7.6 cm) Tubular Steel	Welded 3" (7.6 cm) Tubular Steel
Steering Control	Twin Lever/Swing Out	Twin Lever/Swing Out	Twin Lever/Swing Out	Twin Lever/Swing Out	Twin Lever/Swing Out
Seat Cushion	High Density Foam	High Density Foam	High Density Foam	High Density Foam	High Density Foam
Seat Cover	Cordura	Cordura	Cordura	Cordura	Cordura
Seat Springs	Yes	Yes	Yes	Yes	Yes
Headlights	Standard	Standard	Standard	No	Standard
Beverage Holder	Standard	Standard	Standard	Standard	Standard
Mower Clutch	Electric	Electric	Electric	Electric	Electric
Tires - Front	11 x 4.0 x 5 Smooth	11 x 4.0 x 5 Smooth	11 x 4.0 x 5 Smooth	11 x 4.0 x 5 Smooth	11 x 4.0 x 5 Smooth
Tires - Back	18 x 9.5 x 8 Turf	18 x 9.5 x 8 Turf	18 x 9.5 x 8 Turf	18 x 8.5 x 8 Turf	18 x 9.5 x 8 Turf
Turning Radius	Zero	Zero	Zero	Zero	Zero
Warranty					
Homeowner	3 Years parts, 2 Years labor	3 Years parts, 2 Years labor	3 Years parts, 2 Years labor	3 Years parts, 2 Years labor	3 Years parts, 2 Years labor
Commercial	1 Year	1 Year	1 Year	None	None
Accessories					
Mulching Kit	Yes	Yes	Yes	Yes	Yes
Grass Blower	Yes	Yes	Yes	Yes	Yes
Grass Catcher	No	No	No	No	No
Twin Bag Grass Collector	Yes	Yes	Yes	Yes	Yes
Grass Catcher Cart	Yes	Yes	Yes	Yes	Yes
Clam Shell Grass Catcher	Yes	Yes	Yes	Yes	Yes
Snow Blower	Yes	Yes	Yes	Yes	Yes
Snow Blades	Yes	Yes	Yes	Yes	Yes
Wheel Weights/Chains	Yes	Yes	Yes	Yes	Yes

MODEL YEAR 2005

44/50" RAM CHASSIS



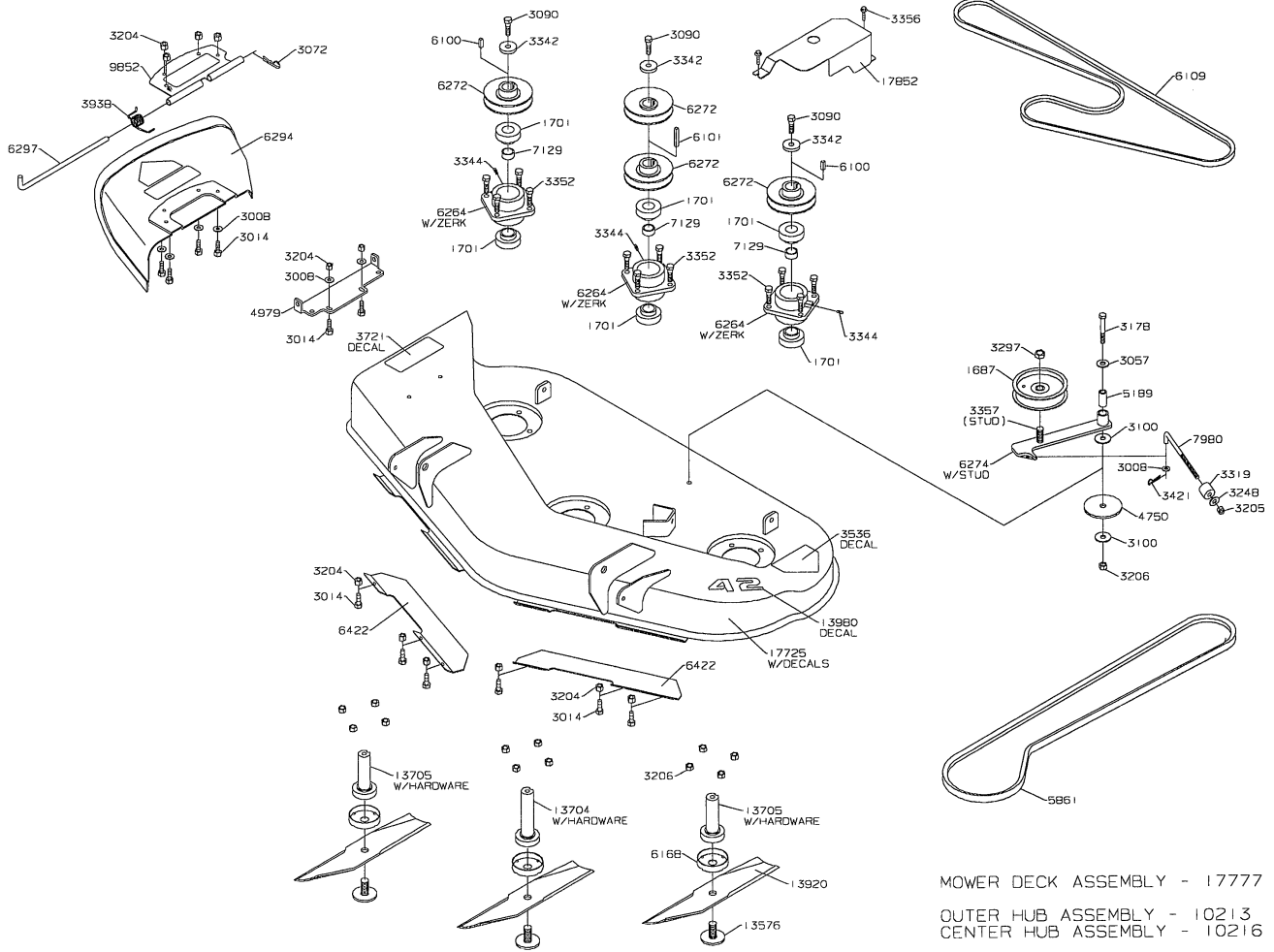


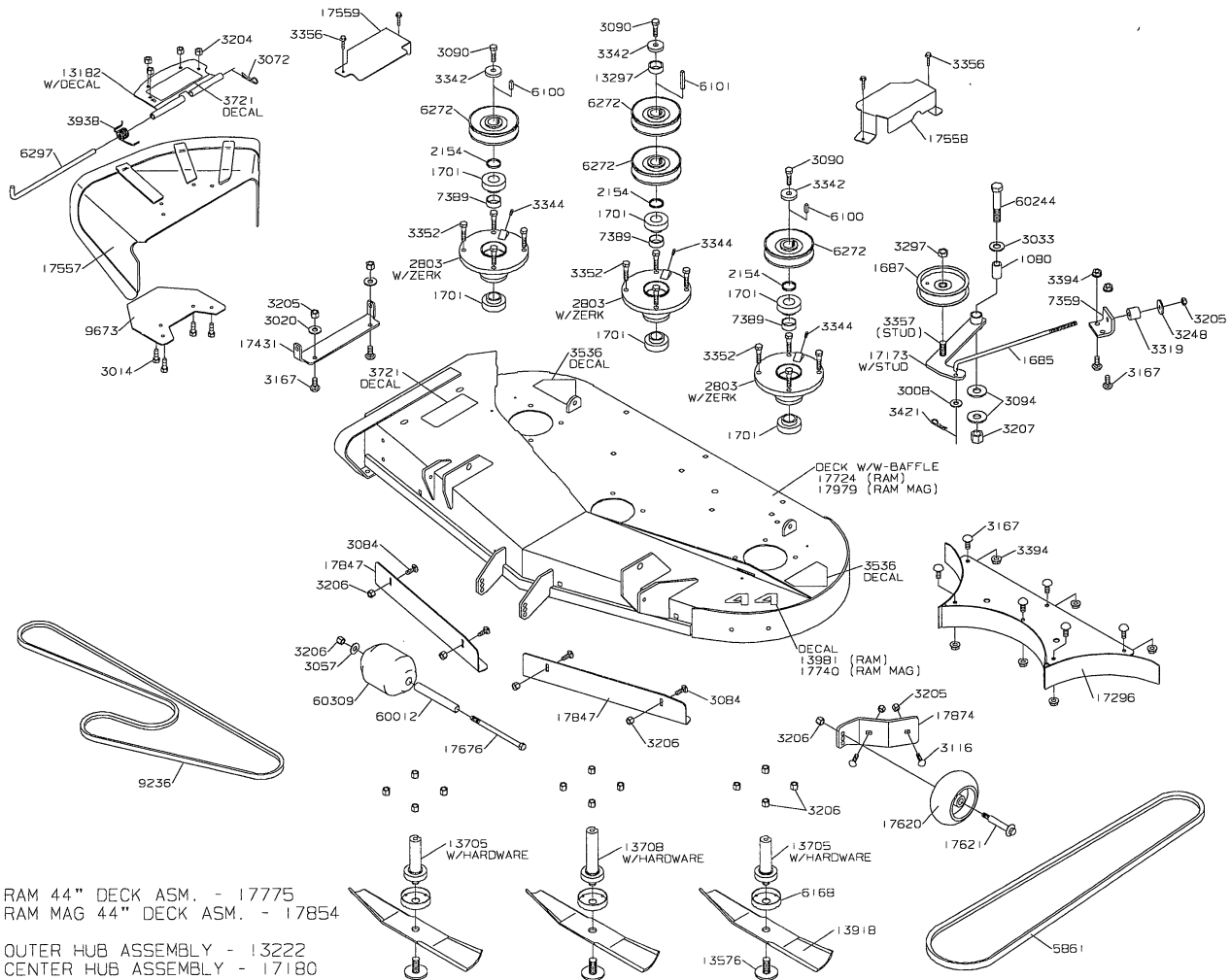
MODEL YEAR 2005

RAM DRIVE TRAIN

MODEL YEAR 2005

42" RAM MOWER DECK





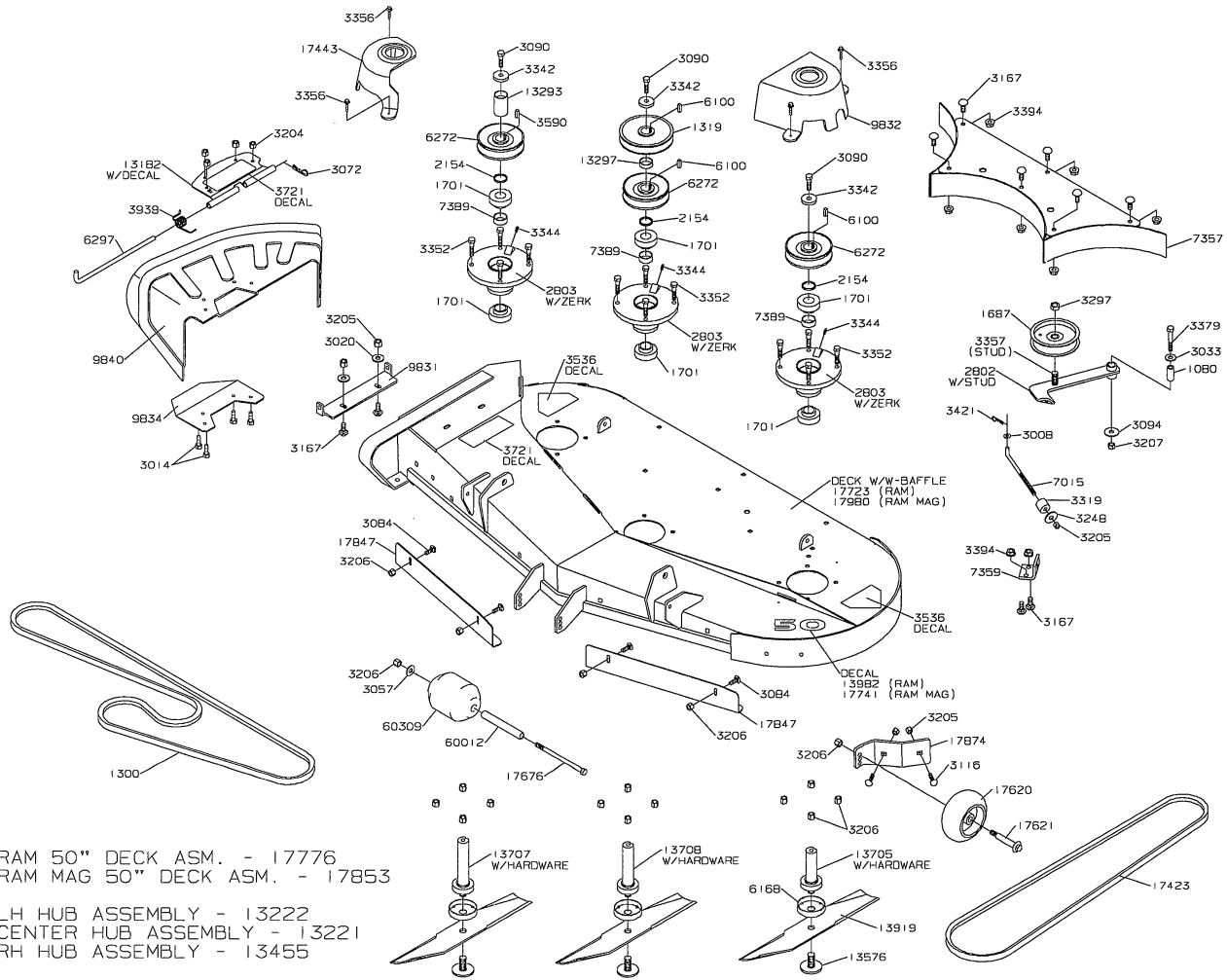
RAM 44" DECK ASM. - 17775
 RAM MAG 44" DECK ASM. - 17854
 OUTER HUB ASSEMBLY - 13222
 CENTER HUB ASSEMBLY - 17180

MODEL YEAR 2005

44" RAM MOWER DECK

MODEL YEAR 2005

50" RAM MOWER DECK



RAM 50" DECK ASM. - 17776
 RAM MAG 50" DECK ASM. - 17853
 LH HUB ASSEMBLY - 13222
 CENTER HUB ASSEMBLY - 13221
 RH HUB ASSEMBLY - 13455

MODEL YEAR 2005

RAM WIRING

- WIRE LOOM - 17395
- FRAME GROUND CABLE - 4216
- BATTERY CABLE - 17682
- BATTERY GROUND CABLE - 17681
- SOLENOID TO STARTER CABLE (BRIGGS & KAWASAKI ONLY) - 16170
- KAWASAKI ADAPTER - 17632
- KOHLER ADAPTER - 17705
- HONDA ADAPTERS - 17632 & 17714
- CHARGE-N-HOLD WIRE HARNESS - 78012

