

2006 PRODUCTION

GRIZZLY 50" MOWER DECK

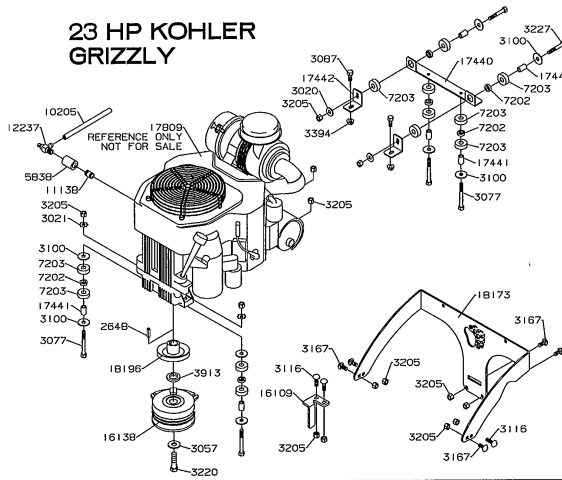




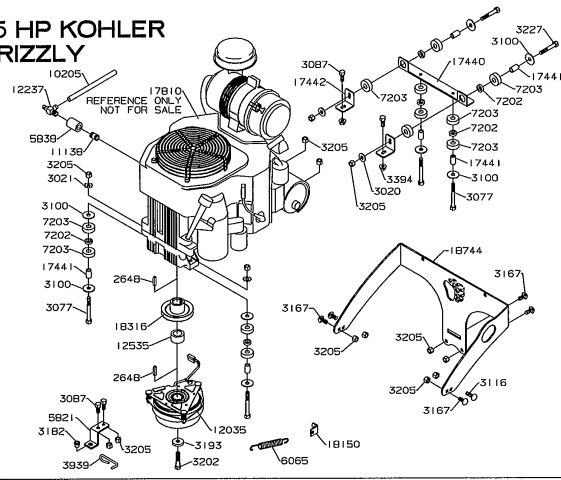
2006 PRODUCTION

GRIZZLY ENGINE RELATED PARTS

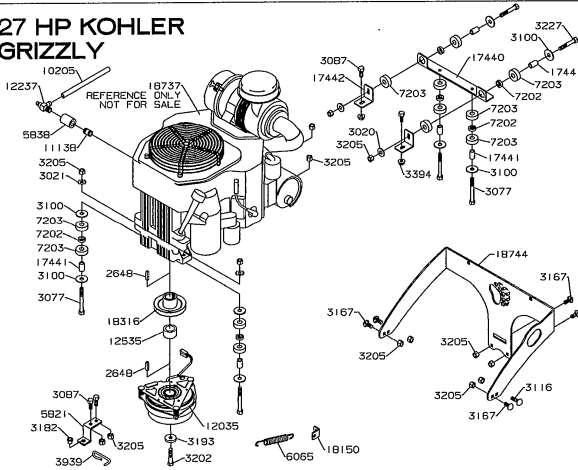
23 HP KOHLER GRIZZLY



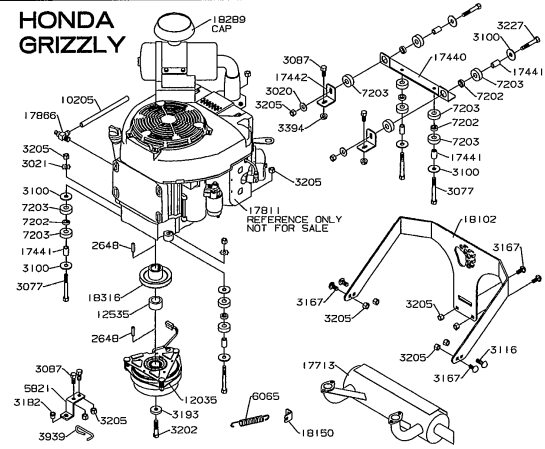
25 HP KOHLER GRIZZLY

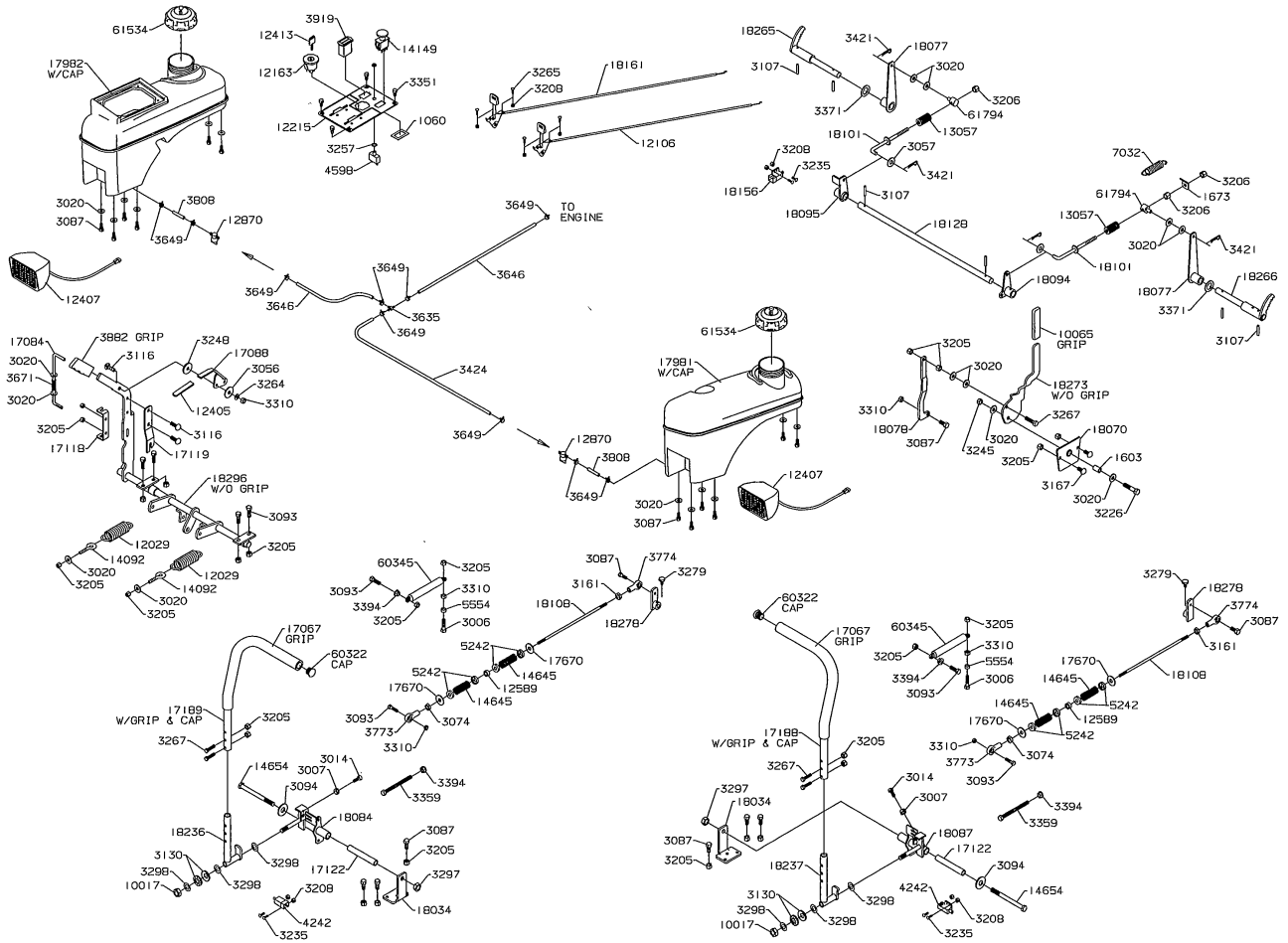


27 HP KOHLER GRIZZLY



HONDA GRIZZLY

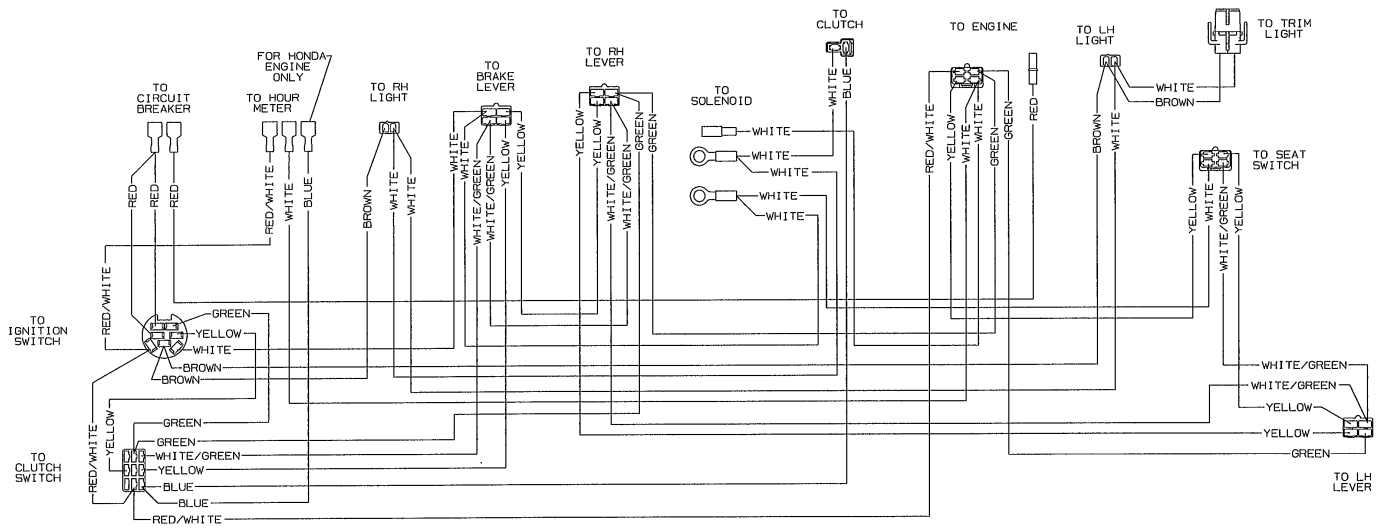




2006 PRODUCTION

GRIZZLY 50" CONTROLS & TANKS





- GRIZZLY WIRE LOOM - 18146
- ENGINE GROUND CABLE - 4216
- BATTERY CABLE - 10187
- BATTERY CABLE - 2110
- SEAT SWITCH PIGTAIL - 18298
- SEAT SWITCH ADAPTER - 18804
  
- CLUTCH GROUND CABLE  
(23HP KOHLER ONLY) - 4216
  
- OIL PRESSURE SWITCH WIRE  
(HONDA ONLY) - 18175
  
- KOHLER ADAPTER - 18157
- HONDA ADAPTER - 18158
- CHARGE-N-HOLD WIRE HARNESS - 78012