

DIXON ZTR®

RAM SERIES ZTR®

Parts manual

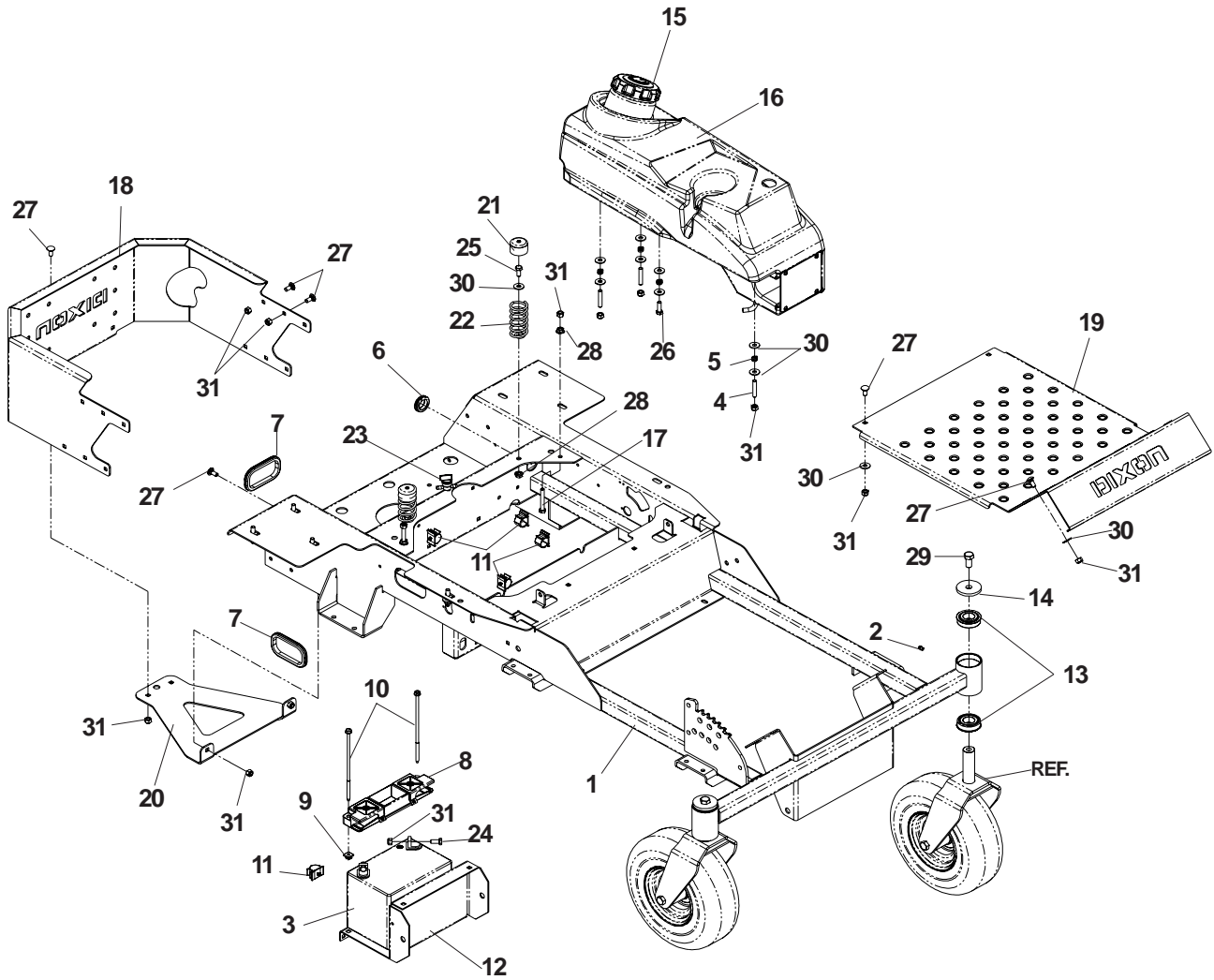
RAM 44, 26 B&S/968999551, RAM 50, 26 B&S/968999552,
RAM 44, HONDA/968999559, RAM MAG44, 20 KOH/968999560,
RAM MAG 50, 21 KAW/968999561, RAM MAG 50, 20 HONDA/968999562,
RAM MAG 50, 20 KOH/968999563

Please read the operator's manual carefully and make
sure you understand the instructions before using the



English

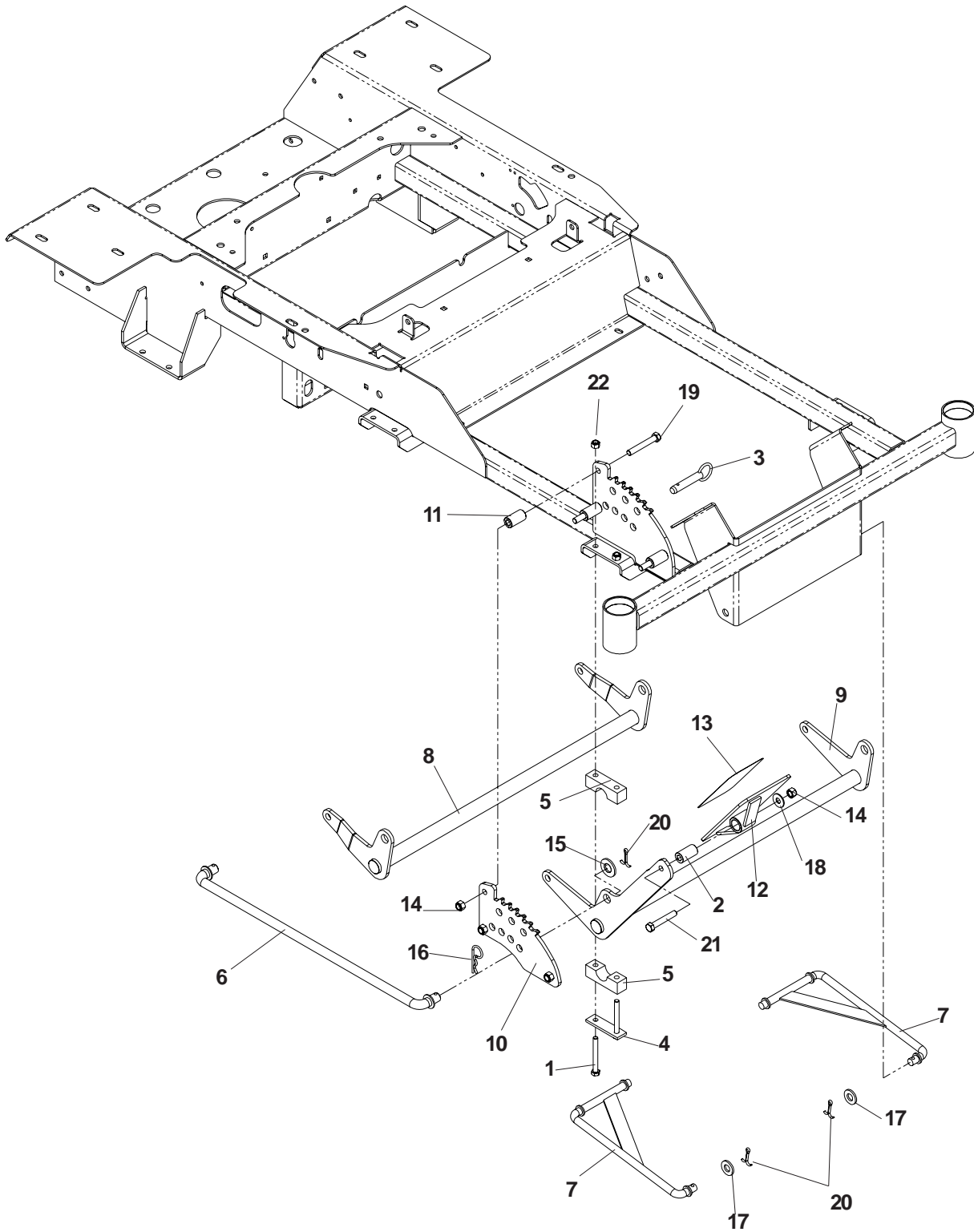
MAIN FRAME



MAIN FRAME

ITEM	PART NO.	QTY.	DESCRIPTION
1	539 114603	1	FRAME W/DECALS
2	539 101474	2	ZERK
3	539 102436	1	BATTERY, DRY
4	539 102502	6	TANK STUD
5	539 102845	8	SRPING, FUEL TANK
6	539 105974	1	GROMMET, RUBBER
7	539 107116	2	GROMMET
8	539 107628	1	BATTERY HOLD DOWN
9	539 107629	2	NUT 1/4, PUSH
10	539 107632	2	BOLT, 1/4 X 7 1/2, SPEC
11	539 110815	5	PUSH MOUNT WIRE CLIP
12	539 112408	1	BATTERY TRAY
13	539 112660	4	BEARING, FLANGED
14	539 112670	2	HEAVY WASHER
15	539 106188	1	FUEL CAP, ANTISPLASH
16	539 114057	1	TANK, FUEL, LEFT
17	539 991055	2	HCS, 5/16-18 X 2 1/4, GR5
18	539 114605	1	GUARD, REAR
19	539 114604	1	FOOT PLATE W/DECALS
20	539 114504	1	STRAP, REAR
21	539 119884	2	SPRING CAP
22	539 122632	2	SEAT SPRING
23	539 916325	1	VALVE, FUEL
24	539 976934	2	HCS, 5/16-18 X 3/4, GR5
25	539 990206	2	HCS, 5/16-18 X 3/4, GR5
26	539 990209	2	HCS, 5/16-18 X 1, GR5
27	539 990316	26	RHSNB, 5/16-18 X 3/4, GR5
28	539 990585	8	NUT, 5/16-18, WHIZLK
29	539 990646	2	HCS, 1/2-13 X 1, GR5
30	539 990692	24	WASHER, 5/16
31	539 990717	48	NUT, 5/16-18, NYLOC
	539 107615	1	BATTERY CABLE, NEG, (NOT SHOWN)
	539 112409	1	MAIN WIRE HARNESS, (NOT SHOWN)

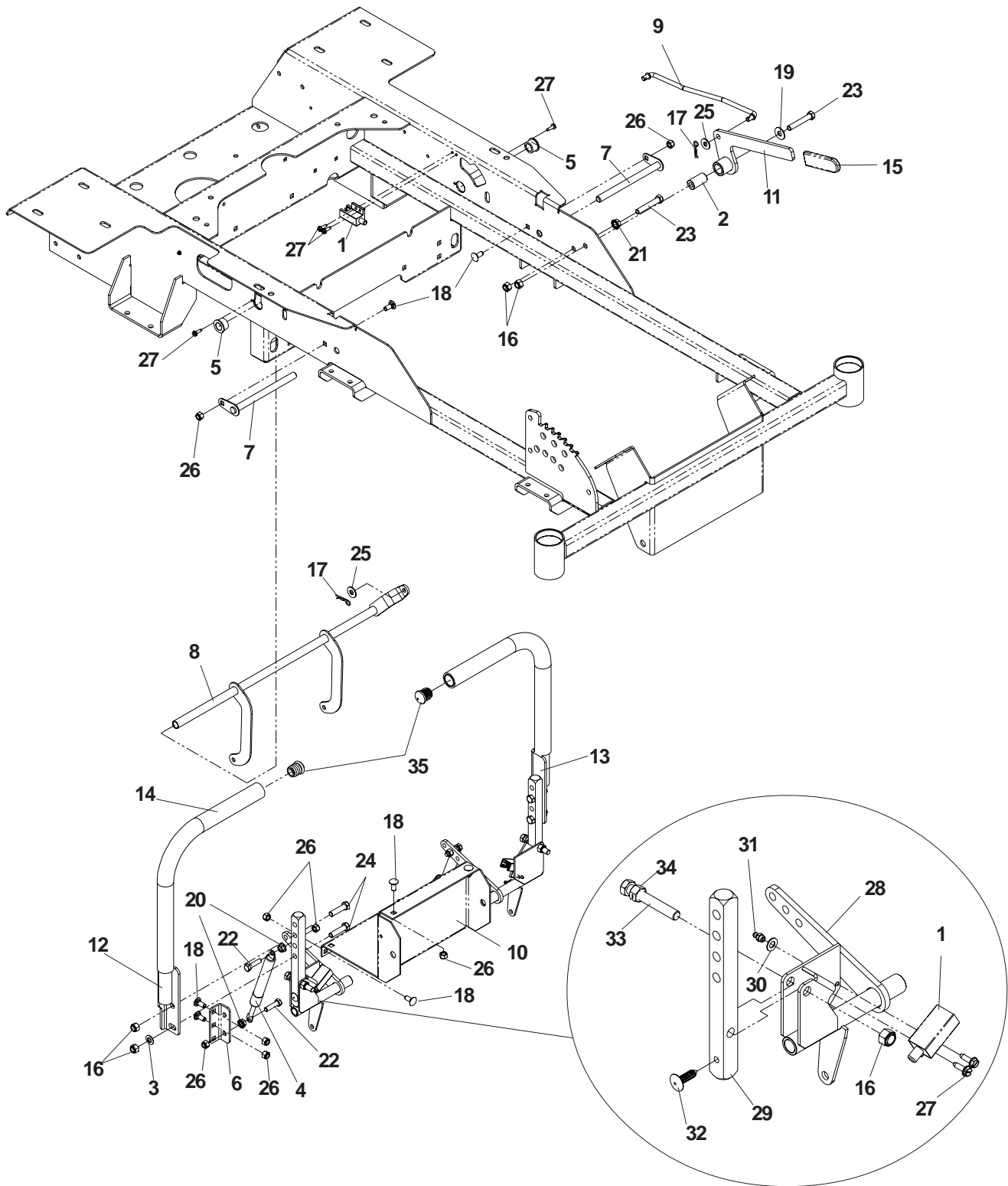
DECK LIFT



DECK LIFT

ITEM	PART NO.	QTY.	DESCRIPTION
1	539 101721	8	HCS, 5/16-18 X 2 3/4, GR5
2	539 101836	2	BUSHING
3	539 102526	1	PIN LIFT, 1/2 X 2, W/RING
4	539 104807	4	REINFORCEMENT BAR
5	539 104808	8	BLOCK, PILLOW
6	539 110808	2	CROSS LINK
7	539 112223	2	STRUT LINKAGE
8	539 114264	1	LIFT SHAFT, REAR
9	539 114266	1	LIFT SHAFT, FRONT
10	539 114268	1	PLATE, HEIGHT, OUTER
11	539 114270	3	SPACER
12	539 114280	1	PEDAL, FOOT
13	539 121322	1	FOOT PAD
14	539 976979	10	NUT, 3/8-16, NYLOC
15	539 976982	4	WASHER, 5/8, SAE
16	539 976989	1	PIN HAIR, 1/8 X 2 1/2
17	539 990250	2	WASHER, 1/2, SAE
18	539 990517	2	WASHER, 3/8
19	539 990637	3	HCS, 3/8-16 X 2 1/2, GR5
20	539 990654	6	PIN COTTER, 5/32 X 1 1/4
21	539 990629	3	HCS, 3/8-16 X 2 1/4, GR5
22	539 990717	48	NUT, 5/16-18, NYLOC

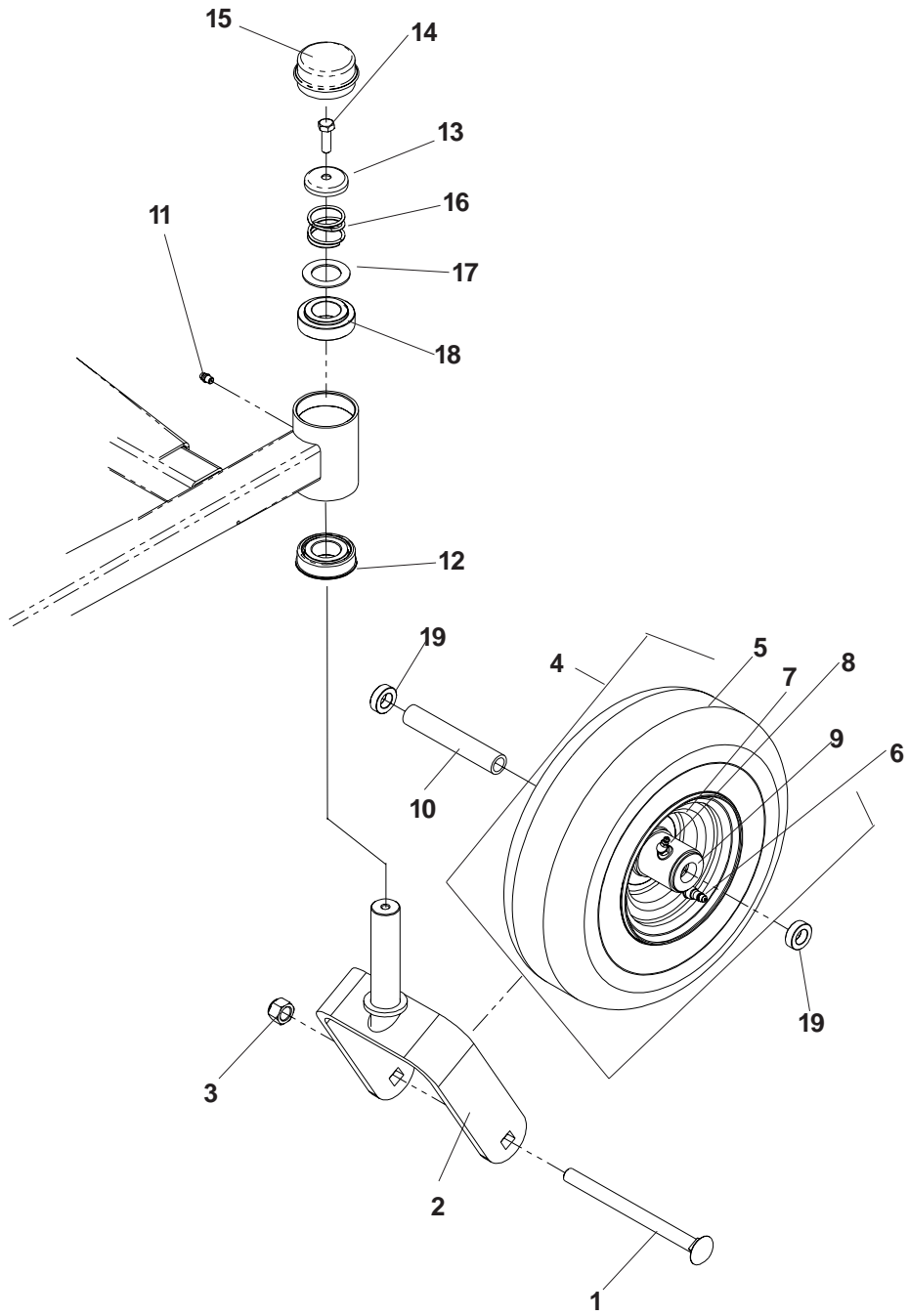
CONTROL LEVERS & PARK BRAKE



CONTROL LEVERS & PARK BRAKE

ITEM	PART NO.	QTY.	DESCRIPTION
1	539 101080	3	SWITCH, INTERLOCK
2	539 101836	2	BUSHING
3	539 102593	2	LOCKWASHER, 3/8, SPEC.
4	539 102720	2	DAMPENER
5	539 109368	2	BUSHING, PLASTIC
6	539 112300	2	DAMPENER BRACKET
7	539 112306	2	PIVOT SHAFT
8	539 112313	1	BRAKE SHAFT
9	539 112314	1	LINKAGE
10	539 112408	1	BATTERY TRAY
11	539 114259	1	BRAKE LEVER
12	539 114291	1	LEVER, DRIVE, RIGHT
13	539 114292	1	LEVER, DRIVE, LEFT
14	539 121152	2	GRIP
15	539 976526	1	GRIP, ADJUSTMENT LEVER
16	539 976979	12	NUT, 3/8-16, NYLOC
17	539 976988	2	PIN HAIR
18	539 990316	26	RHSNB, 5/16-18 X 3/4, GR5
19	539 990517	2	WASHER, 3/8
20	539 990585	8	NUT, 5/16-18, WHIZLK
21	539 990613	1	NUT, 3/8-16, WHIZLK
22	539 990627	4	HCS, 5/16-18 X 1 1/4, GR5
23	539 990629	3	HCS, 3/8-16 X 2 1/4, GR5
24	539 990655	4	HCS, 3/8-16 X 1 1/2, GR5
25	539 990692	24	WASHER, 5/16
26	539 990717	48	NUT, 5/16-18, NYLOC
27	539 991034	8	SCREW, #10-24 X 5/8, WASH HD
28	539 112095	1	CONTROL WELEMENT, RIGHT
	539 112096	1	CONTROL WELDMENT, LEFT (NOT SHOWN)
29	539 112088	2	CONTROLARM
30	539 103547	2	WASHER
31	539 976998	2	ZERK
32	539 113107	2	RIVET, NYLON PUSH-IN
33	539 110122	2	HCS, 3/8-16 X 2 1/2, TPBLT, GR5
34	539 990546	2	NUT, 3/8-16, LOCK
35	539 122636	2	END PLUG, 15/16"

CASTER ASSEMBLY

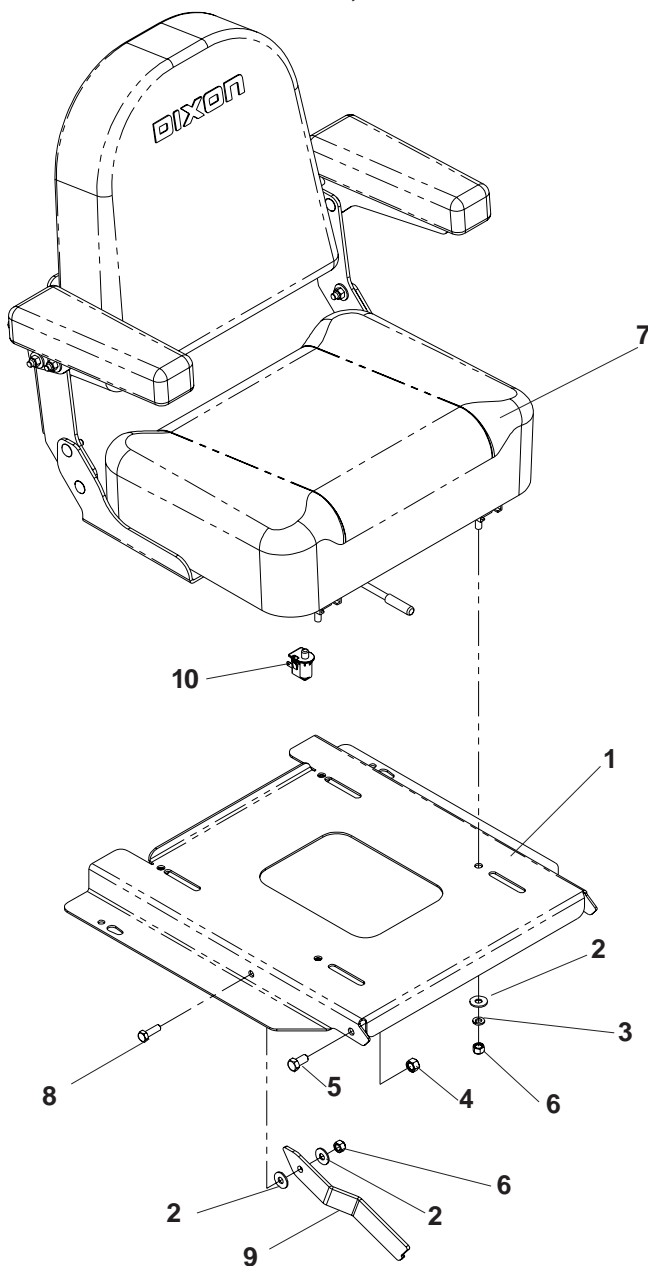


CASTER ASSEMBLY

ITEM	PART NO.	QTY.	DESCRIPTION
1	539 121159	1	RHSNB 1/2-13 X 6 1/2, GR5
2	539 123593	1	CASTER YOKE
3	539 101331	1	NUT, 1/2-13, NYLOC
4	539 114695	1	CASTER TIRE, COMPLETE
5	539 114697	1	TIRE, 4 PLY, 410-5
6	539 912234	1	VALVE STEM
7	539 106994	1	RIM
8	539 103300	1	ZERK
9	539 102484	2	BEARING, FLANGED
	539 105307	1	ROLLER BEARING, 3 1/4 (NOT SHOWN)
10	539 105543	1	SPACER
11	539 115638	2	ZERK
12	539 112660	2	BEARING, FLANGED
13	539 115749	2	PLUG, CASTER
14	539 990209	2	HCS, 5/16-18 X 1, GR5
15	539 118771	2	CAP, DUST, BEARING
16	539 115747	2	SPRING, CASTER
17	539 115675	2	WASHER, 1.025
18	539 117901	2	BUSHING, CASTER
19	539 114805	4	SPACER, 5/16

SEAT ASSEMBLY

MODELS: 968999551, 968999552

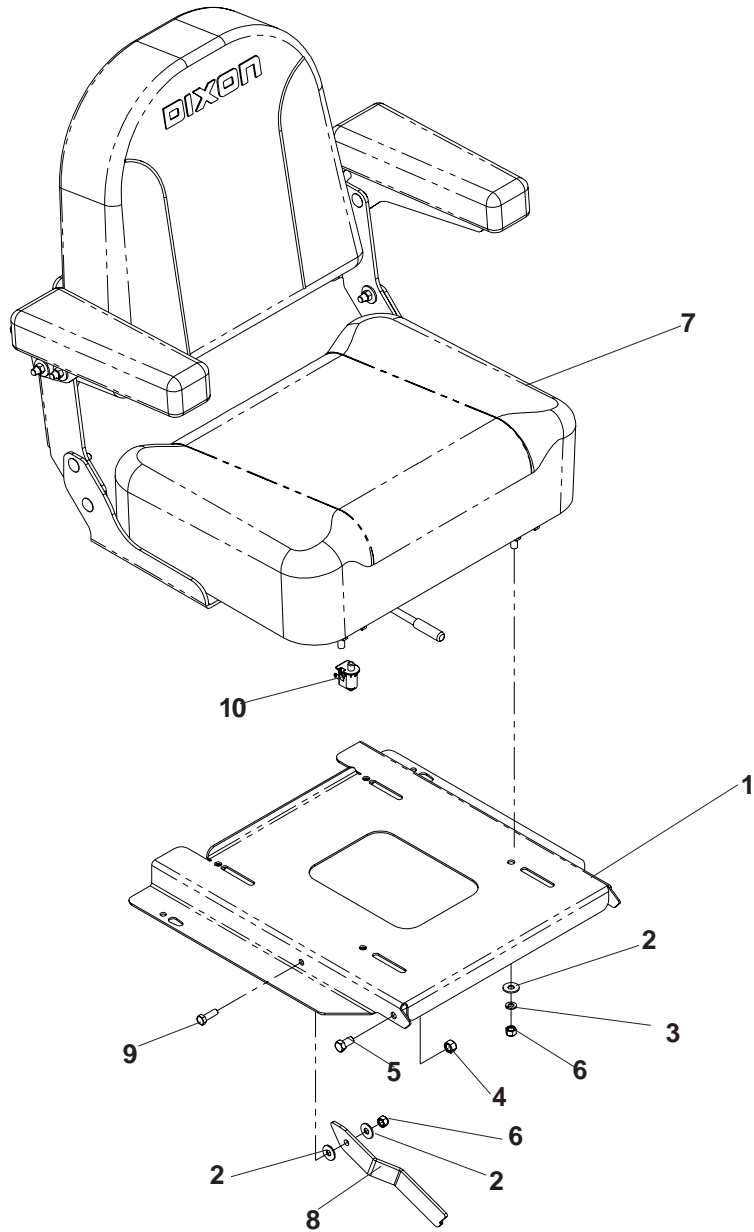


ITEM	PART NO.	QTY.	DESCRIPTION
------	----------	------	-------------

1	539 114286	1	PAN, SEAT
2	539 990692	4	WASHER, 5/16
3	539 990187	4	LOCKWASHER, 5/16
4	539 976979	2	NUT, 3/8-16, NYLOC
5	539 990134	2	HCS, 3/8-16 X 3/4, GR5
6	539 990717	4	NUT, 5/16-18, NYLOC
7	539 117860	1	SEAT ASSEMBLY
8	539 990209	1	HCS, 5/16-18 X 1, GR5
9	539 114631	1	ARM, PROP, SEAT
10	539 107523	1	SEAT SWITCH
	539 128796	1	SEAT SLIDE SET (NOT SHOWN)

SEAT ASSEMBLY

MODELS: 968999559, 968999560, 968999561, 968999562, 968999563

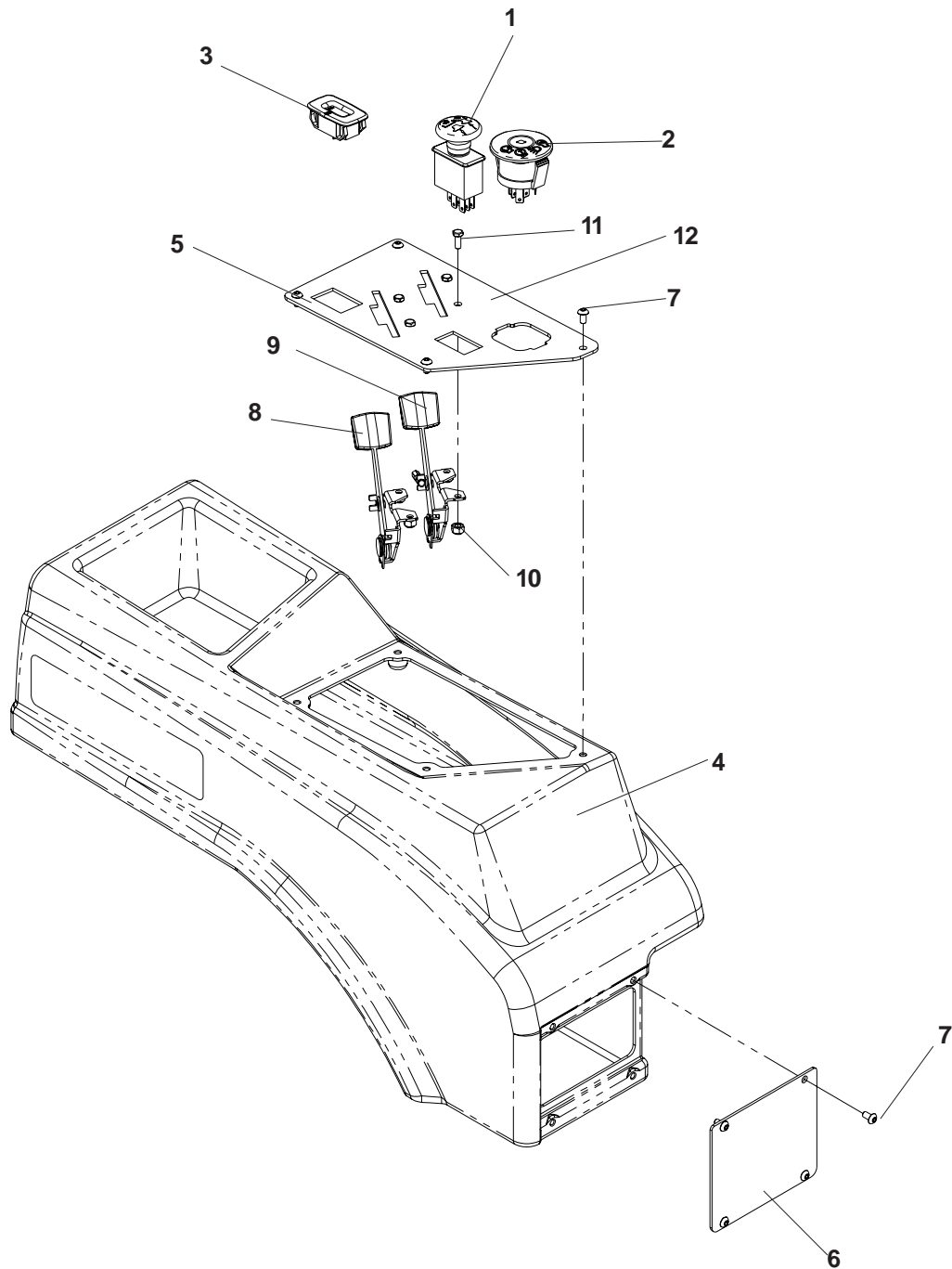


ITEM	PART NO.	QTY.	DESCRIPTION
------	----------	------	-------------

1	539 114286	1	PAN, SEAT
2	539 990692	4	WASHER, 5/16
3	539 990187	4	LOCKWASHER, 5/16
4	539 976979	2	NUT, 3/8-16, NYLOC
5	539 990134	2	HCS, 3/8-16 X 3/4, GR5
6	539 990717	4	NUT, 5/16-18, NYLOC
7	539 122379	1	SEAT ASSEMBLY
8	539 114631	1	ARM, PROP, SEAT
9	539 990209	1	HCS, 5/16-18 X 1, GR5
10	539 107523	1	SEAT SWITCH
	539 128796	1	SEAT SLIDE SET (NOT SHOWN)

CONSOLE ASSEMBLY

MODELS: 968999551, 968999552



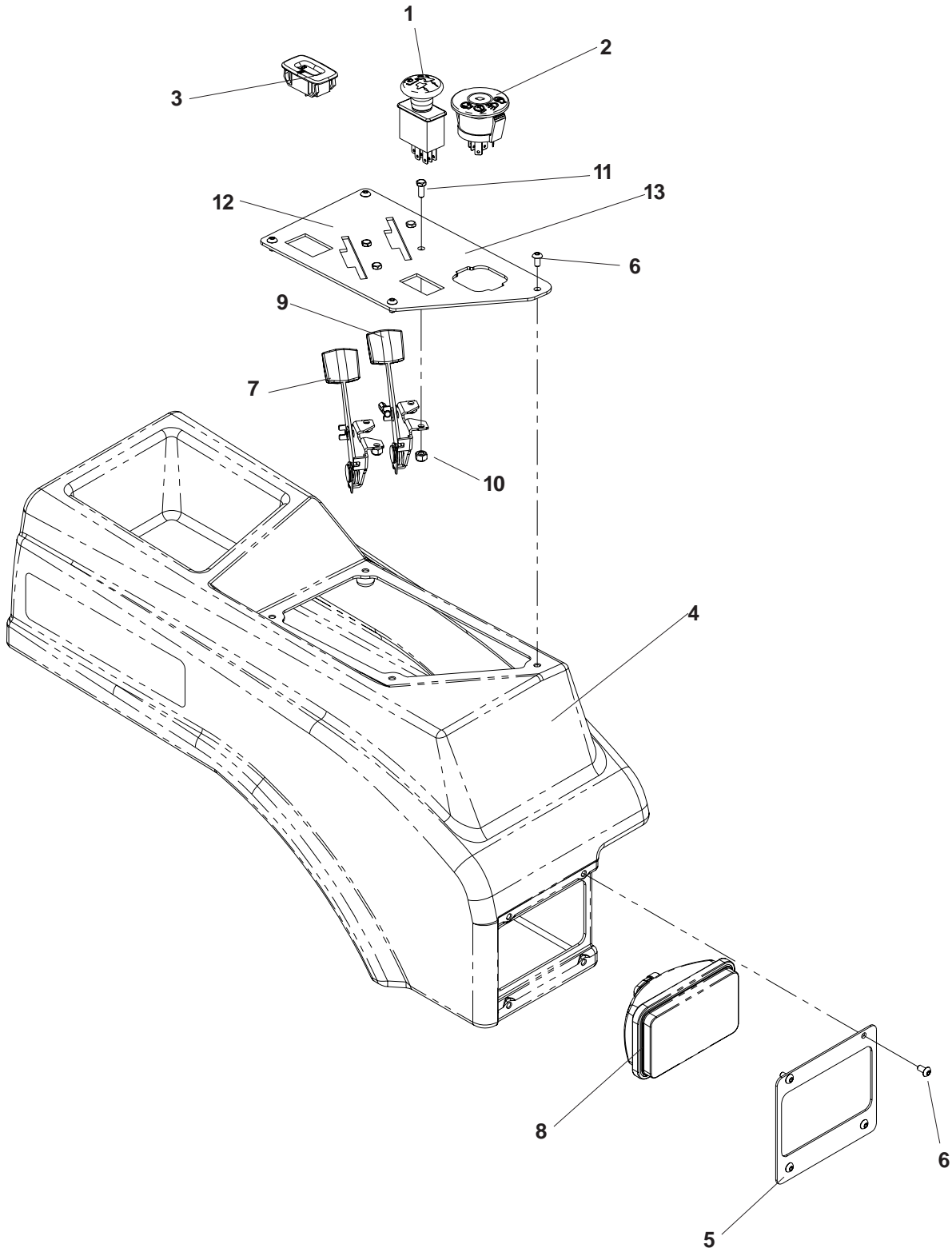
CONSOLE ASSEMBLY

MODELS: 968999551, 968999552

ITEM	PART NO.	QTY.	DESCRIPTION
1	539 101768	1	SWITCH
2	539 118848	1	IGNITION SWITCH
3	539 110074	1	HOUR METER
4	539 114059	1	TANK, CONSOLE, RIGHT
5	539 114071	1	CONTOL PANEL
6	539 114076	1	PANEL, LIGHT DELETE
7	539 114341	8	SCREW, #10-24 X 3/8
8	539 118816	1	CABLE, THROTTLE
9	539 118815	1	CHOKE CABLE
10	539 976977	4	NUT, #10-24, NYLOC
11	539 990411	4	SCREW, #10-24 X 1/2
12	539 114072	1	DECAL, CONTROL

CONSOLE ASSEMBLY

MODELS: 968999559, 968999560, 968999561, 968999562, 968999563



CONSOLE ASSEMBLY

MODELS: 968999559, 968999560, 968999561, 968999562, 968999563

ITEM	PART NO.	QTY.	DESCRIPTION
1	539 101768	1	SWITCH
2	539 118848	1	IGNITION SWITCH
3	539 110074	1	HOUR METER
4	539 114059	1	TANK, CONSOLE, RIGHT
5	539 114075	1	PLATE, LIGHT
6	539 114341	8	SCREW, #10-24 X 3/8
7	539 118816	1	CABLE, THROTTLE
8	539 119756	1	HEADLIGHT
9	539 118815	1	CHOKE CABLE
10	539 976977	4	NUT, #10-24, NYLOC
11	539 990411	4	SCREW, #10-24 X 1/2
12	539 114071	1	CONTROL PANEL
13	539 114072	1	DECAL, CONTROL
	539 114077	1	PIGTAIL HEADLIGHT (NOT SHOWN)

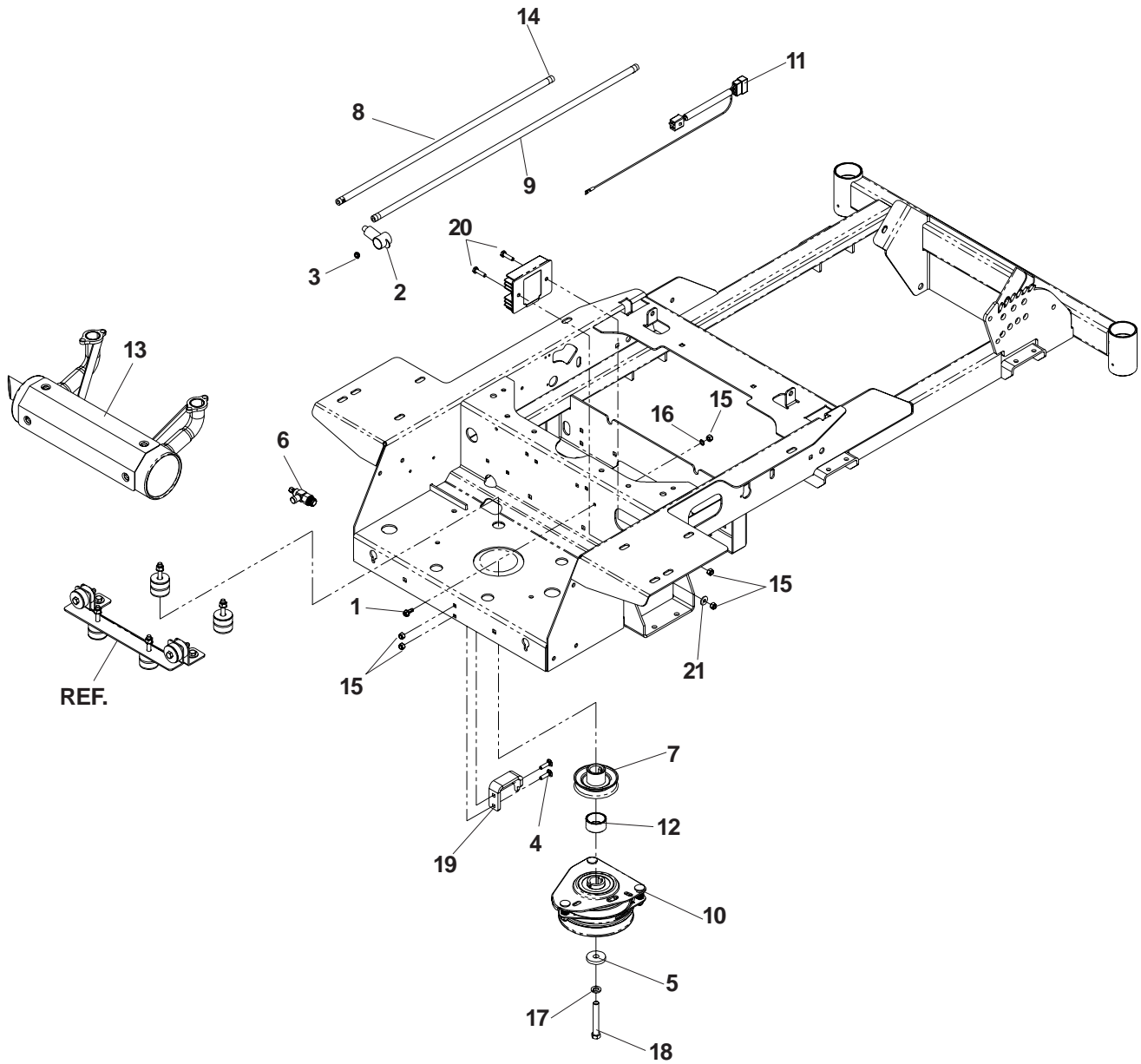
BRIGGS & STRATTON ENGINE ASSEMBLY

MODELS: 968999551, 968999552

ITEM	PART NO.	QTY.	DESCRIPTION
1	539 101714	1	SOLENOID
2	539 102759	3	INSULATOR, BATTERY
3	539 108120	1	NUT, 1/4-20, THIN NYLOC
4	539 109800	2	RHSNB, 1/4-20 X 1, GR5
5	539 110064	1	CLUTCH WASHER
6	539 110093	1	OIL DRAIN FITTING
7	539 114530	1	PULLEY
8	539 110424	1	FUEL LINE, 24"
9	539 110425	1	FUEL LINE, 5"
10	539 111786	2	RHSSNB, 1/4-20 X 5/8, GR5
11	539 114595	1	CLUTCH
12	539 114342	1	CLUTCH TIE DOWN
13	539 121325	1	MUFFLER
14	539 912222	4	CLAMP, HOSE
15	539 976978	6	NUT, 1/4-20, NYLOC
16	539 990053	2	WASHER, 1/4
17	539 990247	1	WASHER, 7/16
18	539 923388	1	HCS, 7/16-20 X 3, GR5
19	539 114542	1	SPACER, ENGINE PULLEY
20	539 107631	2	SCREW, 1/4-20 S 5/8, THDROLL
	539 103306	2	CABLE, POSITIVE (NOT SHOWN)
	539 107516	1	PIGTAIL (NOT SHOWN)
	539 105409	1	GROUND WIRE (NOT SHOWN)

HONDA ENGINE ASSEMBLY

MODELS: 968999559, 968999562



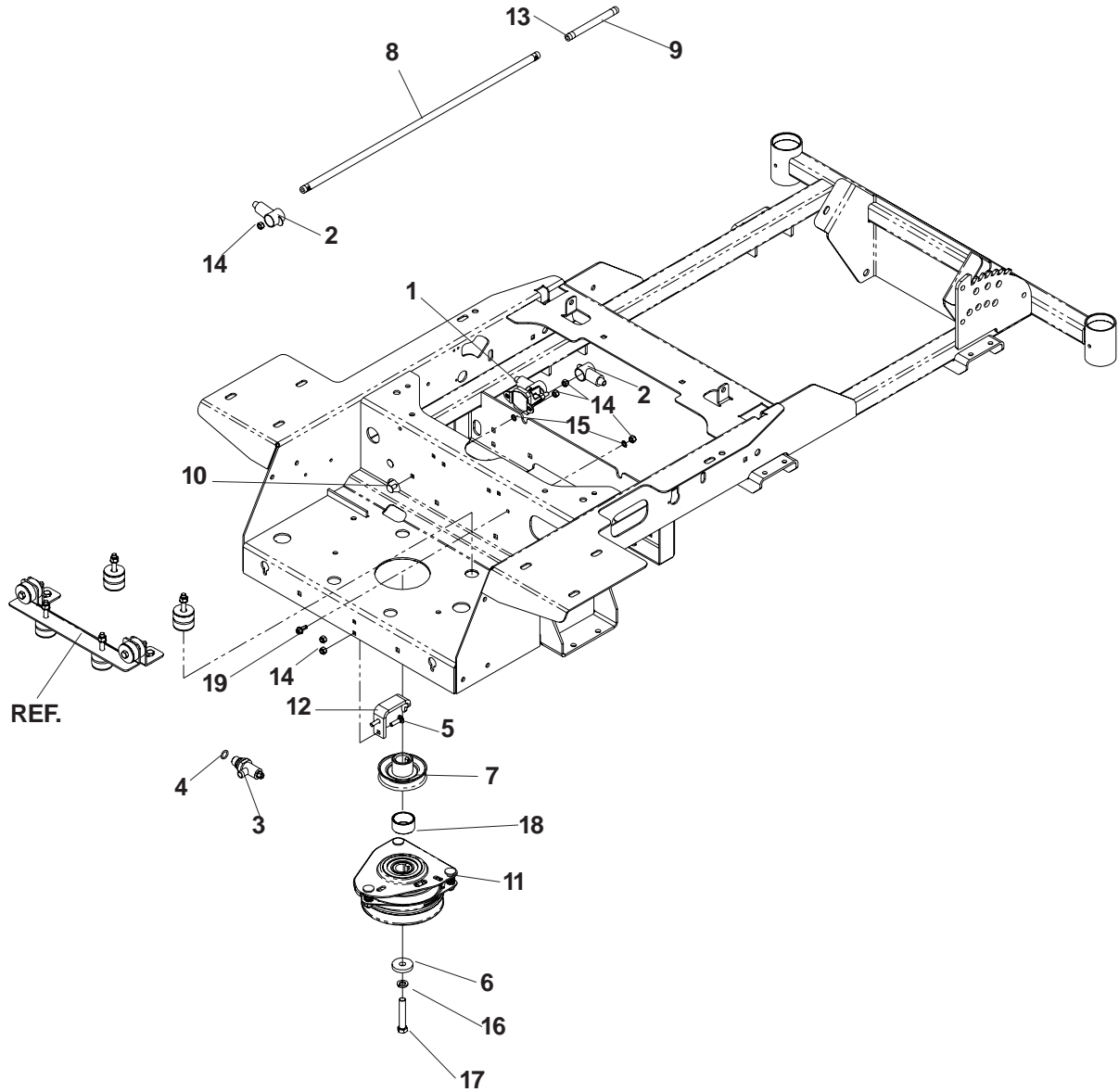
HONDA ENGINE ASSEMBLY

MODELS: 968999559, 968999562

ITEM	PART NO.	QTY.	DESCRIPTION
1	539 107631	1	SCREW, 1/4-20 X 5/8, THDROLL
2	539 102759	1	INSULATOR, BATTERY
3	539 108120	1	NUT, 1/4-20, THIN NYLOC
4	539 109800	2	RHSNB, 1/4-20 X 1, GR5
5	539 110064	1	CLUTCH WASHER
6	539 121619	1	OIL DRAIN ADAPTER
7	539 114530	1	PULLEY
8	539 110424	1	FUEL LINE, 24"
9	539 105281	1	FUEL LINE, 30"
10	539 114595	1	CLUTCH
11	539 114231	1	HONDA PIGTAIL
12	539 114542	1	SPACER, ENGINE PULLEY
13	539 121497	1	MUFFLER
14	539 912222	4	CLAMP, HOSE
15	539 976978	5	NUT, 1/4-20, NYLOC
16	539 990053	1	WASHER, 1/4
17	539 990247	1	WASHER, 7/16
18	539 923388	1	HCS, 7/16-20 X 3, GR5
19	539 114342	1	TIE DOWN, CLUTCH
20	539 990548	2	HCS, 1/4-20 X 1, GR5
21	539 990598	1	WASHER, 1/4
	539 104974	2	CABLE, POSITIVE (NOT SHOWN)
	539 105409	1	GROUND WIRE (NOT SHOWN)

KAWASAKI ENGINE ASSEMBLY

MODEL: 968999561



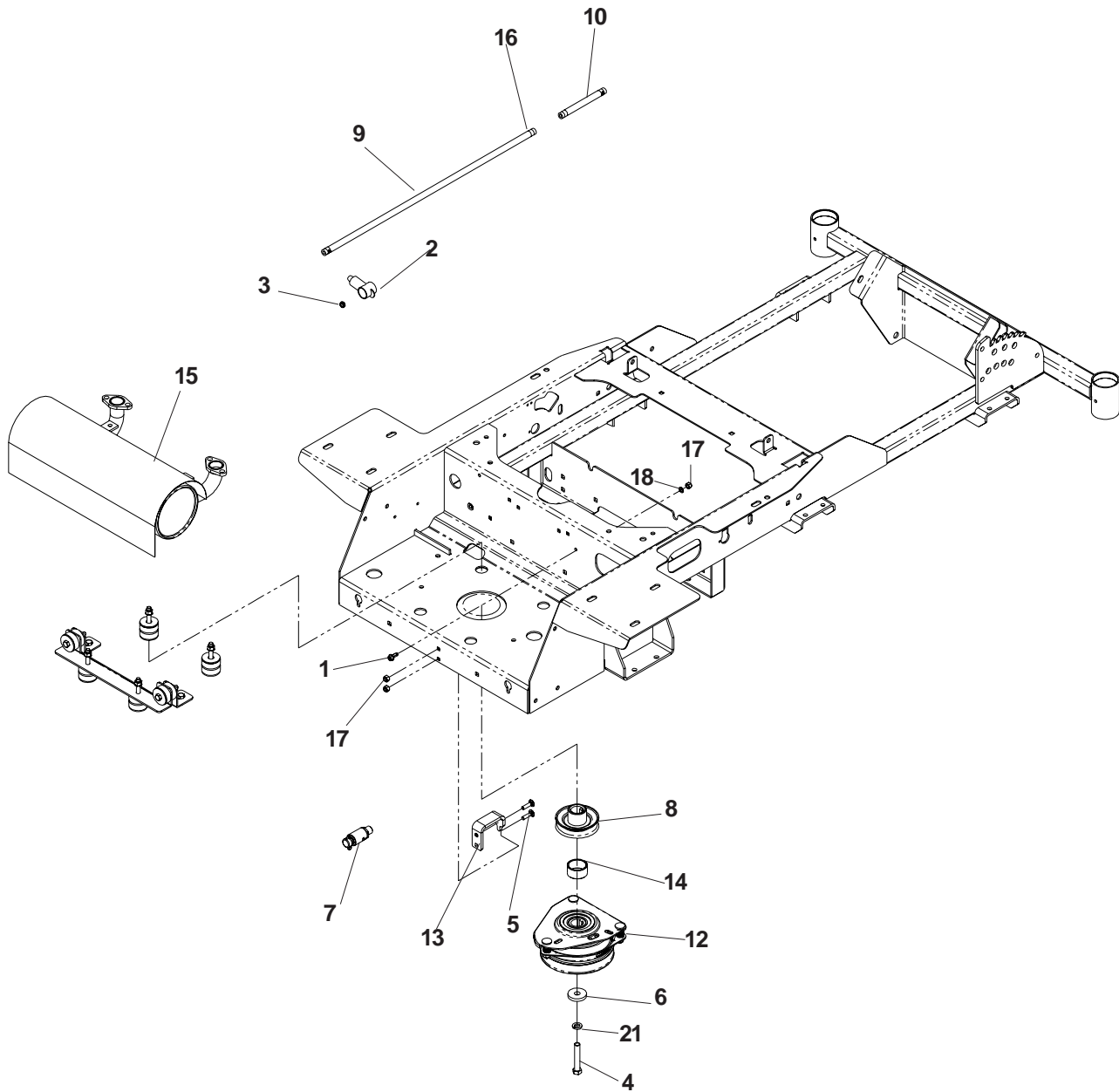
KAWASAKI ENGINE ASSEMBLY

MODEL: 968999561

ITEM	PART NO.	QTY.	DESCRIPTION
1	539 101714	1	SOLENOID
2	539 102759	3	INSULATOR, BATTERY
3	539 109587	1	OIL DRAIN EXTENSION
4	539 109618	1	O-RING
5	539 109800	2	RHSNB, 1/4-20 X 1, GR5
6	539 110064	1	CLUTCH WASHER
7	539 114530	1	PULLEY
8	539 110424	1	FUEL LINE, 24"
9	539 110425	1	FUEL LINE, 5"
10	539 111786	2	RHSSNB, 1/4-20 X 5/8, GR5
11	539 114595	1	CLUTCH
12	539 114342	1	CLUTCH TIE-DOWN
13	539 912222	4	CLAMP, HOSE
14	539 976978	8	NUT, 1/4-20, NYLOC
15	539 990053	3	WASHER, 1/4
16	539 990247	1	WASHER, 7/16
17	539 923388	1	HCS, 7/16-20 X 3, GR5
18	539 114542	1	SPACER, ENGINE PULLEY
19	539 107631	1	SCREW, 1/4-20 X 5/8, THRDOLL
	539 103306	2	CABLE, POSITIVE (NOT SHOWN)
	539 119684	1	MUFFLER (NOT SHOWN)
	539 104415	1	PIGTAIL, KAWASAKI (NOT SHOWN)
	539 105409	1	GROUND WIRE (NOT SHOWN)

KOHLER ENGINE ASSEMBLY

MODELS: 968999560, 968999563

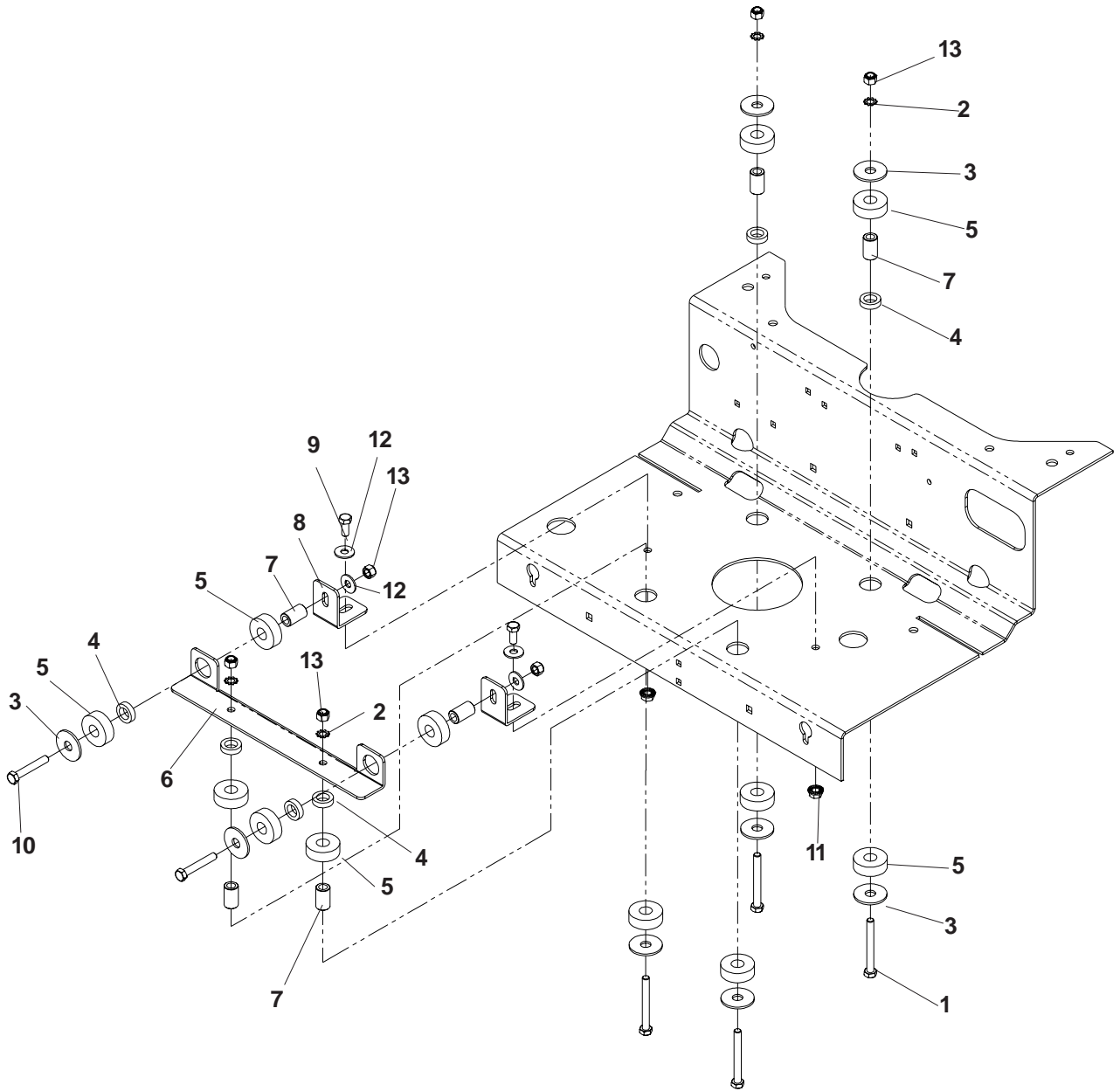


KOHLER ENGINE ASSEMBLY

MODELS: 968999560, 968999563

ITEM	PART NO.	QTY.	DESCRIPTION
1	539 107631	1	SCREW, 1/4-20 X 5/8, THDROLL
2	539 102759	1	INSULATOR, BATTERY
3	539 108120	1	NUT, 1/4-20, THIN NYLOC
4	539 923388	1	HCS, 7/16-20 X 3, GR5
5	539 109800	2	RHSNB, 1/4-20 X 1, GR5
6	539 110064	1	CLUTCH WASHER
7	539 110093	1	OIL DRAIN FITTING
8	539 114530	1	PULLEY
9	539 110424	1	FUEL LINE, 24"
10	539 110425	1	FUEL LINE, 5"
11	539 990247	1	WASHER, 7/16
12	539 114595	1	CLUTCH
13	539 114342	1	TIE-DOWN, CLUTCH
14	539 114542	1	SPACER
15	539 118684	1	MUFFLER
16	539 912222	4	CLAMP, HOSE
17	539 976978	3	NUT, 1/4-20, NYLOC
18	539 990053	1	WASHER, 1/4
	539 104974	1	CABLE, POSITIVE (NOT SHOWN)
	539 105409	1	GROUND WIRE (NOT SHOWN)
	539 104416	1	KOHLER PIGTAIL (NOT SHOWN)

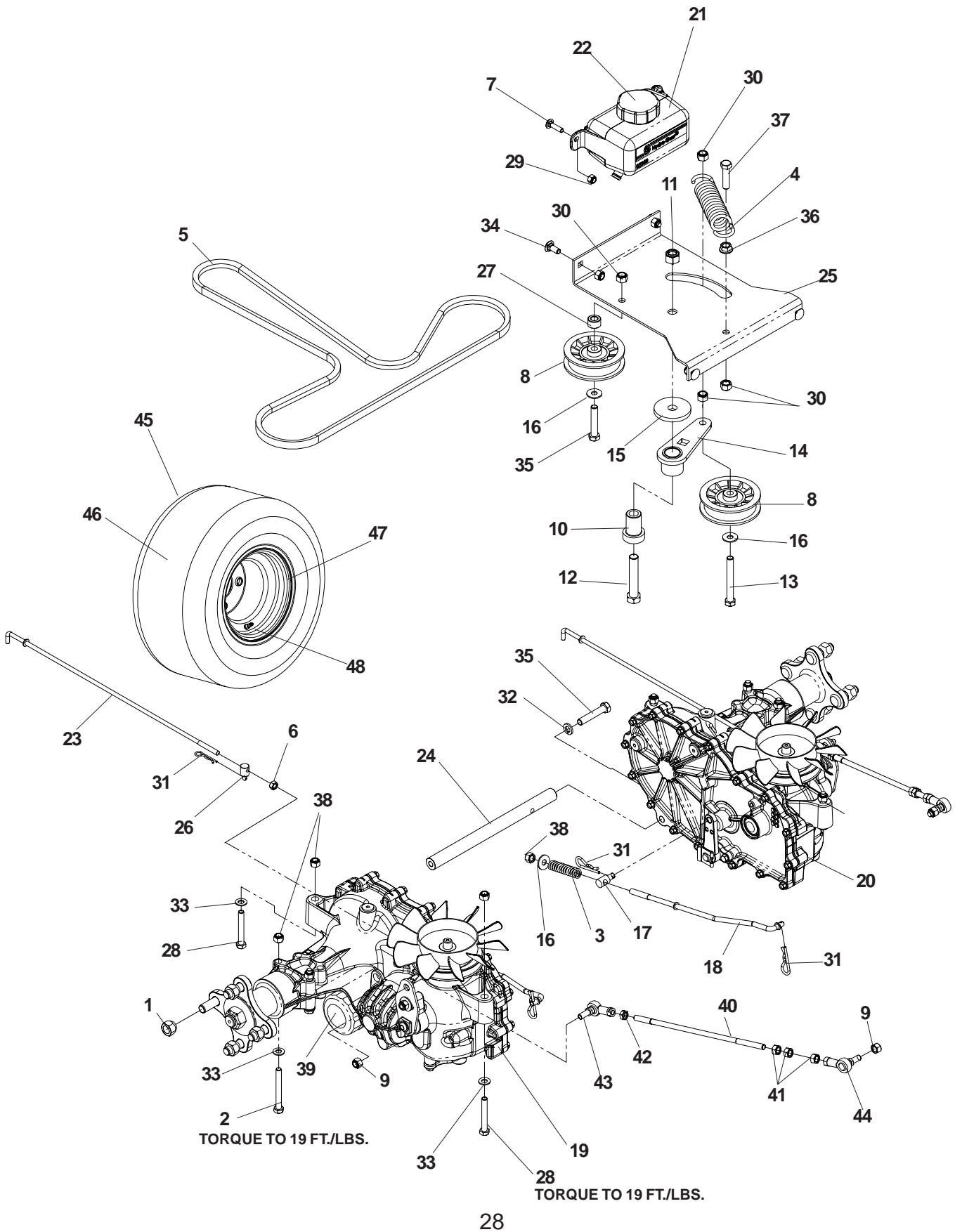
ISO MOUNT



ISO MOUNT

ITEM	PART NO.	QTY.	DESCRIPTION
1	539 101721	4	HCS, 5/16-18 X 2 3/4, GR5
2	539 109556	4	WASHER, 5/16, EXT STAR
3	539 115516	8	WASHER, 7/16
4	539 116377	6	ISO-MOUNT, INSERT
5	539 116378	12	ISO-MOUNT BUSHING
6	539 121366	1	ISO-MOUNT PLATE
7	539 121367	6	ISO-MOUNT BUSHING
8	539 121368	2	ISO-MOUNT, BRACKET
9	539 976934	2	HCS, 5/16-18 X 3/4, GR5
10	539 976937	2	HCS, 5/16-18 X 2, GR5
11	539 990585	2	NUT, 5/16, WHIZLK
12	539 990692	4	WASHER, 5/16
13	539 990717	6	NUT, 5/16-18, NYLOC

HYDRAULIC ASSEMBLY

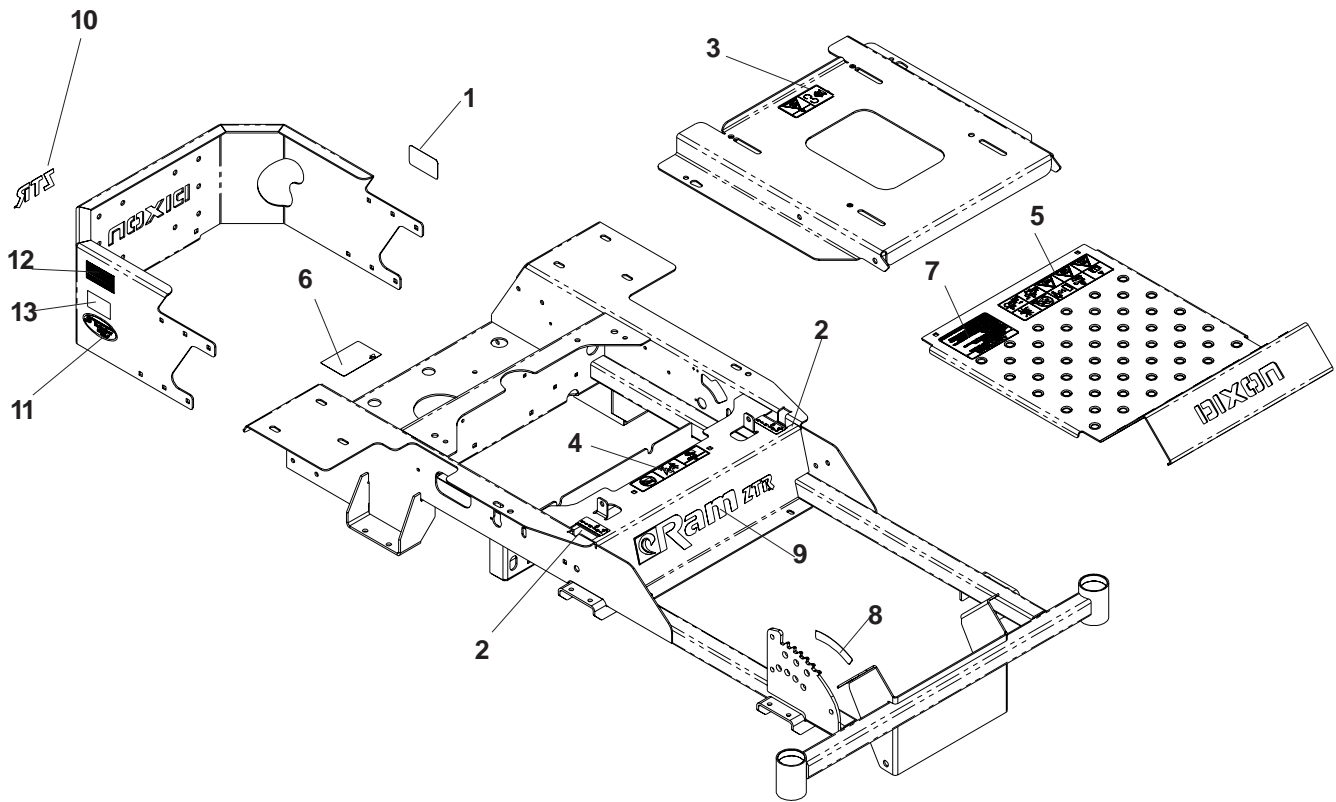


HYDRAULIC ASSEMBLY

ITEM	PART NO.	QTY.	DESCRIPTION
1	539 101173	8	NUT, 1/2-20, LUG
2	539 101721	4	HCS, 5/16-18 X 2 3/4, GR5
3	539 102796	2	SPRING
4	539 103256	1	SPRING EXTENSION
5	539 104334	1	BELT, PUMP
6	539 108739	2	NUT, 1/4-28
7	539 109800	2	RHSNB, 1/4-20 X 1, GR5
8	539 110311	2	PULLEY, IDLER
9	539 110943	4	NUT, 5/16, NYLOC
10	539 101231	1	SPINDLE, IDLER
11	539 101331	1	NUT, 1/2-13, NYLOC
12	539 101332	1	HCS, 1/2-13 X 2 3/4, GR5
13	539 101350	1	HCS, 3/8-16, GR5
14	539 112092	1	IDLER ARM
15	539 112670	1	HEAVY WASHER
16	539 990692	4	WASHER, 5/16
17	539 112308	2	BRAKE SWIVEL
18	539 112309	2	BRAKE LINKAGE
19	539 114261	1	ZT2800, RIGHT, NON CHARGED, MODELS: 968999551, 968999552
	539 112316	1	ZT2800, RIGHT, MODELS: 968999559, 968999560, 968999561, 968999562, 968999563
20	539 114260	1	ZT2800, LEFT, NON CHARGED, MODELS: 968999551, 968999552
	539 112317	1	ZT2800, LEFT, MODELS: 968999559, 968999560, 968999561, 968999562, 968999563
21	539 112318	1	EXPANSION TANK W/CAP
22	539 112449	1	CAP
23	539 112319	2	BYPASS LINKAGE
24	539 112342	1	2800 CROSS SUPPORT
25	539 112407	1	IDLER PULLEY PLATE
26	539 112949	2	SWIVEL, 1/4-28
27	539 923515	1	SPACER
28	539 976938	4	HCS, 5/16-18 X 2 1/4, GR5
29	539 976978	2	NUT, 1/4-20, NYLOC
30	539 976979	4	NUT, 3/8-16, NYLOC
31	539 976988	6	PIN, HAIR, .073 X 1 7/16
32	539 990118	2	WASHER, 3/8
33	539 990188	12	WASHER, 5/16, SAE
34	539 990316	4	RHSNB, 5/16-18 X 3/4, GR5
35	539 990588	3	HCS, 3/8-16 X 2, GR5
36	539 990613	1	NUT, 3/8-16, WHIZLK
37	539 990655	1	HCS, 3/8-16 X 1 1/2, GR5
38	539 990717	14	NUT, 5/16-18, NYLOC
39	539 113466	2	OIL FILTER
40	539 112099	2	DRIVE LINKAGE
41	539 990223	6	NUT, 5/16-24
42	539 991073	2	NUT, 5/16-24, LH
43	539 110604	2	ROD END, LEFT
44	539 110603	2	ROD END, RIGHT
45	539 114800	2	TIRE, COMPLETE
46	539 108009	1	TIRE
47	539 108008	1	RIM
48	539 912234	1	VALVE STEM
	539 112669	1	HOSE KIT (NOT SHOWN)

DECAL ASSEMBLY

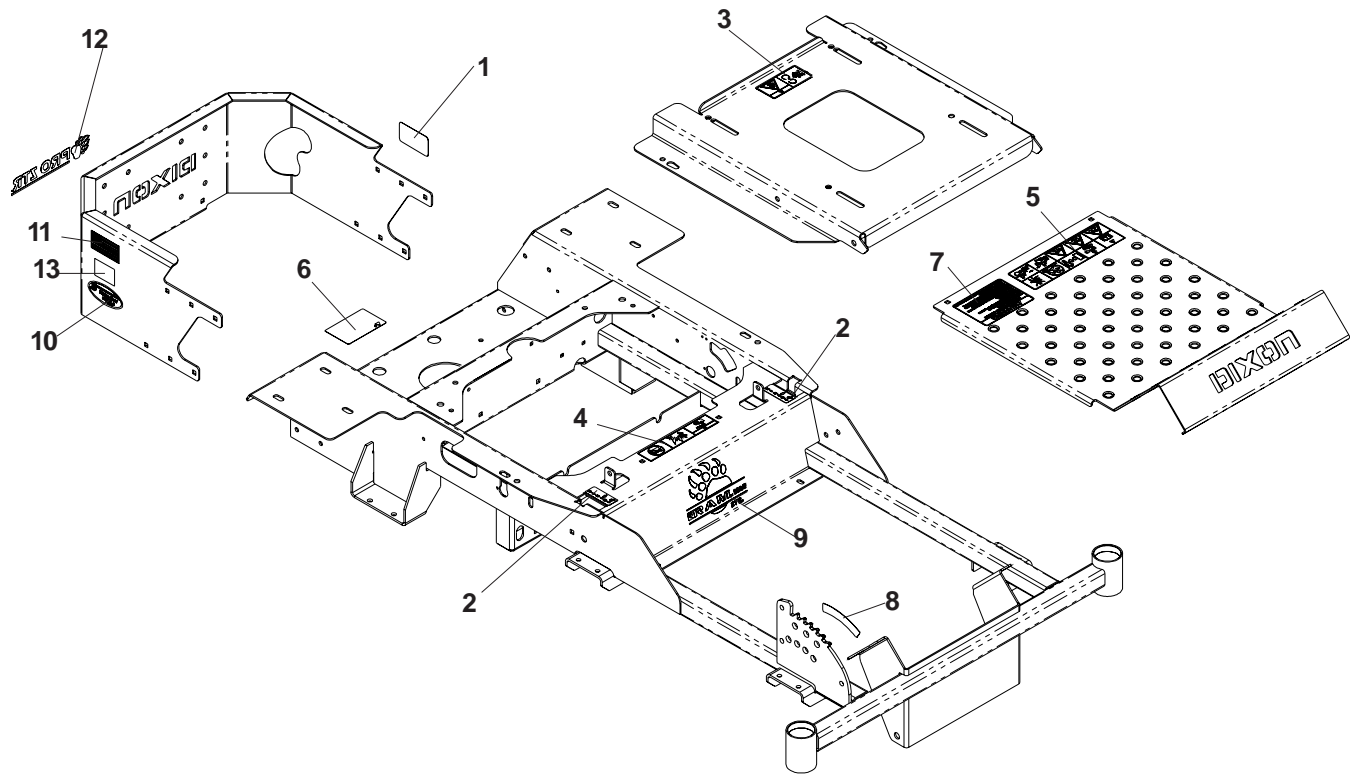
MODELS: 968999551, 968999552



ITEM	PART NO.	QTY.	DESCRIPTION
1	539 101881	1	DECAL, PROP 65
2	539 103333	2	DECAL, MOTION CONTROL
3	539 105744	1	DECAL, EURO DANGER BELT
4	539 105745	1	DECAL, EURO BATTERY WARNING
5	539 107959	1	DECAL, WARNING
6	539 108385	1	DECAL, DO NOT TOW
7	539 113213	1	DECAL, WARNING
8	539 114467	1	DECAL, HEIGHT
9	539 114681	1	DECAL, RAM
10	539 114509	1	DECAL, ZRT
11	539 119364	1	DECAL, HYDRO GEAR
12	539 117709	1	DECAL, FLAG
13	539 117702	1	DECAL, ENGINE, BRIGGS & STRATTON

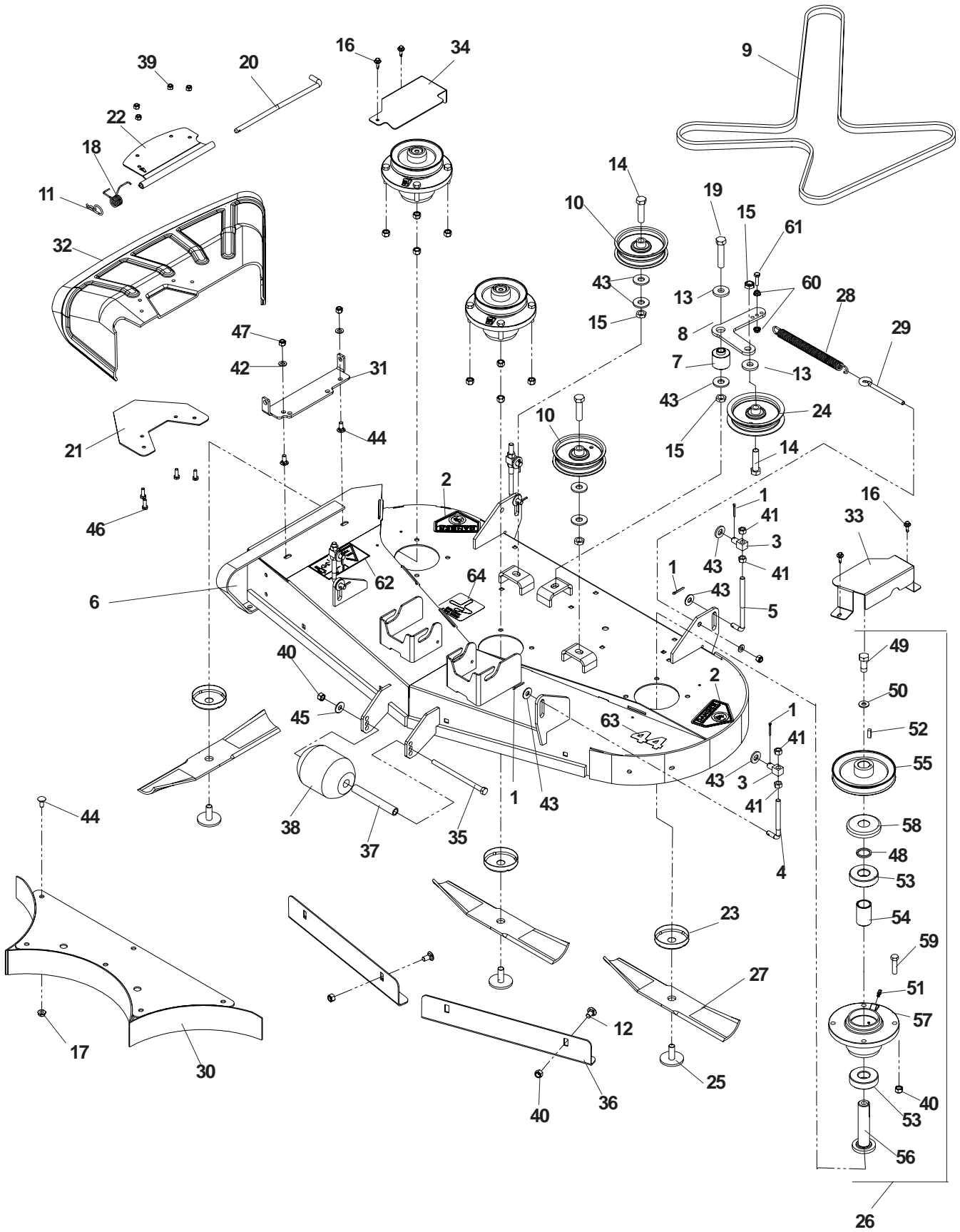
DECAL ASSEMBLY

MODELS: 968999559, 968999560, 968999561, 968999562, 968999563



ITEM	PART NO.	QTY.	DESCRIPTION
1	539 101881	1	DECAL, PROP 65
2	539 103333	2	DECAL, MOTION CONTROL
3	539 105744	1	DECAL, EURO DANGER BELT
4	539 105745	1	DECAL, EURO BATTERY WARNING
5	539 107959	1	DECAL, WARNING
6	539 108385	1	DECAL, DO NOT TOW
7	539 113213	1	DECAL, WARNING
8	539 114467	1	DECAL, HEIGHT
9	539 114507	1	DECAL, RAM MAG
10	539 119364	1	DECAL, HYDRO GEAR
11	539 117709	1	DECAL, FLAG
12	539 114510	1	DECAL, PRO ZTR
13	539 117704	1	DECAL, ENGINE, KOHLER
	539 117705	1	DECAL, ENGINE, KAWASAKI

44" DECK



44" DECK

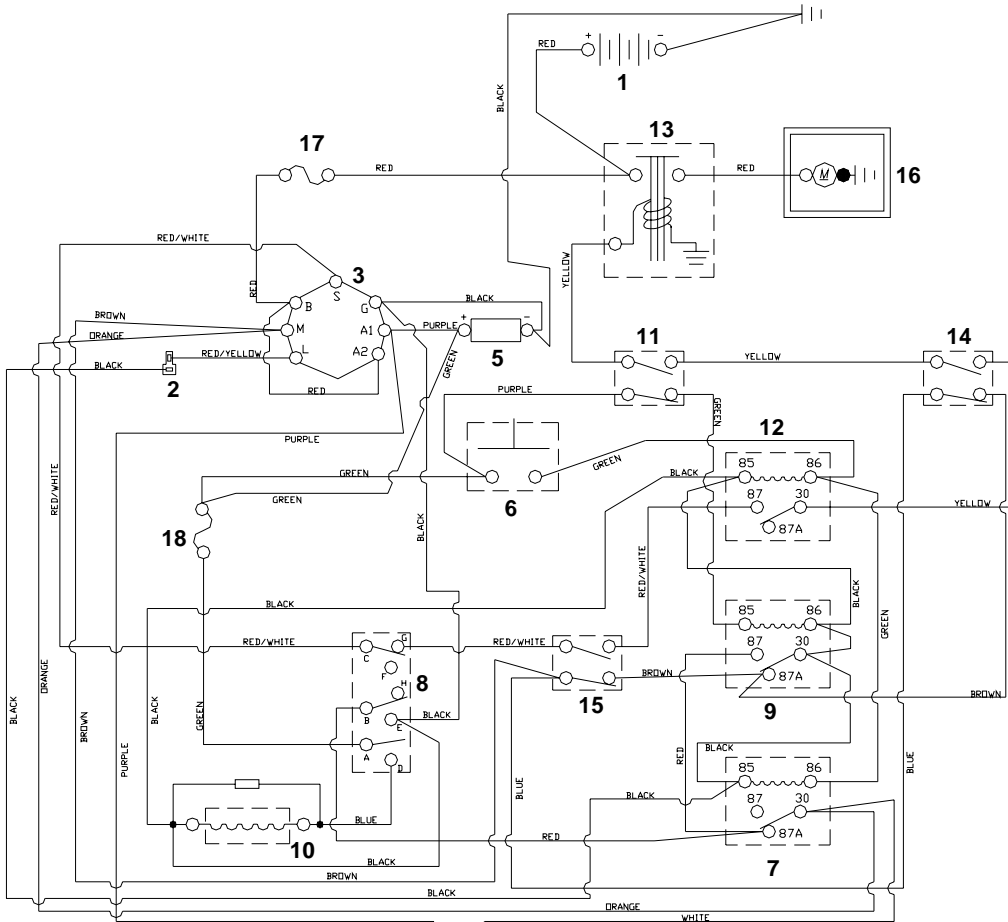
ITEM	PART NO.	QTY.	DESCRIPTION	ITEM	PART NO.	QTY.	DESCRIPTION
1	539 990365	8	PIN COTTER, 1/8 X 3/4	33	539 114925	1	PULLEY GUARD
2	539 913010	2	DECAL, WARNING	34	539 114924	1	PULLEY GUARD
3	539 114789	4	SWIVEL	35	539 121478	1	BOLT, 3/8 X 6, GR5
4	539 114787	2	L BOLT, S	36	539 121604	2	BLOW-BY BAFFLE
5	539 114788	2	L BOLT, L	37	539 122574	1	BUSHING
6	539 114642	1	DECK W/DECALS	38	539 122633	1	ROLLER
7	539 114532	1	IDLER SPACER	39	539 976978	4	NUT, 1/4-20, NYLOC
8	539 114533	1	IDLER ARM	40	539 976979	17	NUT, 3/8-16, NYLOC
9	539 114543	1	V-BELT	41	539 990449	8	NUT, 7/16-14, GR5
10	539 115278	2	PULLEY, IDLER	42	539 990188	3	WASHER, 5/16, SAE
11	539 115501	1	COTTER PIN, 1/8 X 3/4	43	539 990250	13	WASHER, 1/2, SAE
12	539 111785	4	RHSNB, 3/8-16 X 3/4, GR5	44	539 990316	8	RHSNB, 5/16-18 X 3/4, GR5
13	539 115550	2	WASHER, 1/2	45	539 990517	1	WASHER, 3/8
14	539 115584	3	HH BOLT, 1/2-13 X 2	46	539 990580	4	HCS, 1/4-20 X 3/4, GR5
15	539 115609	4	NUT, 1/2-13, THIN NYLOC	47	539 990717	3	NUT, 5/16-18, NYLOC
16	539 115643	4	SCREW, #12-14 X 3/4, TAP	48	539 115326	1	HUB PULLEY SPACER
17	539 115674	6	NUT, 5/16-18, FLANGE L	49	539 115511	1	HHB, 1/2-20 X 1 1/4, GR5
18	539 115760	1	DEFLECTOR SPRING	50	539 115636	1	WASHER, 1/2
19	539 115771	1	HHB, 1/2-13 X 2 1/2, GR5	51	539 115638	1	GREASE ZERK
20	539 116225	1	DEFLECTOR PIN	52	539 116196	1	OUTER SHAFT KEY
21	539 117239	1	DEFLECTOR BRACKET	53	539 119260	2	BEARING
22	539 117262	1	DEFLECTOR MOUNT BRACKET	54	539 119261	1	SPACER
23	539 119266	3	TRASH GUARD	55	539 119264	1	PULLEY
24	539 119555	1	IDLER PULLEY	56	539 119807	1	SHAFT, SHORT
25	539 119637	3	BLADE BOLT	57	539 119809	1	DECK HUB
26	539 119803	3	SPINDLE	58	539 119811	1	TRASH GUARD
27	539 119836	3	BLADE, HI LIFT	59	539 112818	4	HHB, 3/8-16 X 1 1/2, GR5
28	539 120920	1	SPRING, DECK BELT	60	539 108735	2	NUT, 1/4-20
29	539 120993	1	EYE BOLT, 4 1/2	61	539 977761	1	HCS, 1/4-20 X 1, GR5
30	539 121268	1	BAFFLE	62	539 105746	1	DECAL, EURO SEVERING
31	539 121357	1	HINGE	63	539 119894	1	DECAL, 44
32	539 121378	1	DEFLECTOR	64	539 122249	1	DECAL, BELT ROUTING

50" DECK

ITEM	PART NO.	QTY.	DESCRIPTION	ITEM	PART NO.	QTY.	DESCRIPTION
1	539 107271	2	RHSNB, 5/16-18 X 1, GR5	37	539 119895	1	DECAL, 50" DECK
2	539 990365	8	PIN COTTER, 1/8 X 1	38	539 120920	1	SPRING, DECK BELT
3	539 109554	3	WASHER, 1/2	39	539 121357	1	HINGE
4	539 112196	1	IDLER PULLEY, NYLON	40	539 121378	1	DEFLECTOR
5	539 114789	4	SWIVEL	41	539 121433	1	GUAGE WHEEL
6	539 114787	2	L BOLT, S	42	539 121478	1	BOLT, 3/8 X 6, GR5
7	539 114788	2	L BOLT, L	43	539 121604	2	BLOW-BY BAFFLE
8	539 114343	1	SPACER, IDLER	44	539 122494	1	BRACKET
9	539 114643	1	DECK W/DECALS	45	539 122503	1	IDLER ARM
10	539 114452	3	SPINDLE	46	539 122574	1	BUSHING
11	539 114501	1	PULLEY GUARD, RIGHT	47	539 122633	1	ROLLER
12	539 114502	1	PULLEY GUARD, LEFT	48	539 976978	4	NUT, 1/4-20, NYLOC
13	539 114508	1	V-BELT	49	539 976979	17	NUT, 3/4-16, NYLOC
14	539 115278	1	PULLEY, IDLER	50	539 990449	8	NUT, 7/16-14, GR5
15	539 115501	1	COTTER PIN, 1/8 X 3/4	51	539 990188	2	WASHER, 5/16, SAE
16	539 111785	4	RHSNB, 3/8-16 X 3/4, GR5	52	539 990250	11	WASHER, 1/2, SAE
17	539 115550	2	WASHER, 1/2	53	539 990258	1	NUT, 1/2-13
18	539 101331	3	NUT, 1/2-13, NYLOC	54	539 990316	8	RHSNB, 5/16-18 X 3/4, GR5
19	539 115574	1	EYE BOLT, 5/16 X 3 1/2	55	539 990517	5	WASHER, 3/8
20	539 115584	1	BOLT, 1/2-13 X 2	56	539 990580	4	HCS, 1/4-20 X 3/4, GR5
21	539 115609	2	NUT, 1/2-13, THIN NYLOC	57	539 990717	4	NUT, 5/16-18, NYLOC
22	539 115643	4	SCREW, #12-14 X 3/4, TAP	58	539 119809	1	DECK HUB
23	539 115674	6	NUT, 5/16-18, FLANGE	59	539 119260	2	BEARING
24	539 115760	1	DEFLECTOR SPRING	60	539 119261	1	SPACER
25	539 115771	2	HHB, 1/2-13 X 2 1/2, GR5	61	539 117925	2	PULLEY, METRIC
26	539 116225	1	DEFLECTOR PIN	62	539 119807	1	SHAFT SHORT
27	539 116431	1	BAFFLE	63	539 119811	1	TRASH GUARD
28	539 117261	1	DEFLECTOR BRACKET	64	539 115326	1	HUB PULLEY SPACER
29	539 117262	1	DEFLECTOR MOUNT BRACKET	65	539 115636	1	WASJER, 1/2
30	539 108366	1	HCS, 1/2-13 X 4, GR5	66	539 115638	1	ZERK, 3/16
31	539 118937	1	IDLER SPACER	67	539 116196	1	KEY, OUTER SHAFT
32	539 118963	1	HHB, 1/2-13 X 1 3/4, GR5	68	539 122818	4	HHB, 3/8-16 X 1 1/2, GR5
33	539 119006	1	IDLER PULLEY	69	539 115511	1	HHBLT, 1/2-20 X 1 1/4
34	539 119266	3	TRASH GUARD	70	539 105746	1	DECAL, EURO SEVERING
35	539 119637	3	BLADE BOLT	71	539 122249	1	DECAL, BELT ROUTING
36	539 119837	3	BLADE, HIGH LIFT	72	539 913010	2	DECAL, WARNING
				73	539 990585	2	NUT, 5/16-18, WHIZLK

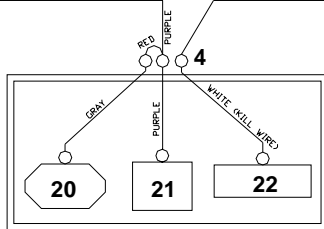
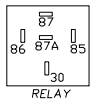
WIRING DIAGRAM

6. Seat unoccupied 8. Blade switch in OFF position
 11. Brake switch OFF pos. 14-15. Motion control levers OUT



1. Battery
2. Accessory outlet
3. Key switch
4. To engine pigtail
5. Hour meter
6. Seat switch
7. Run relay
8. Blade switch
9. Brake relay
10. Electric clutch
11. Brake switch
12. Start relay
13. Starter solenoid
14. Left motion control lever
15. Right motion control lever
16. Starter
17. 20 AMP fuse
18. 7.5 fuse
19. Diode
20. Voltage regulator
21. Fuel shut-off solenoid
22. Ignition

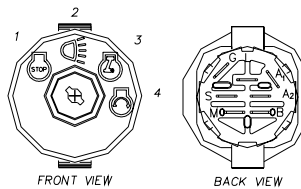
PTO SWITCH	
POSITION	CIRCUIT
OFF	C + G, B + H
ON	C + F, B + E, A + D



ENGINE (REFER TO ENGINE MANUAL FOR MORE DETAIL)

NON-REMOVABLE CONNECTIONS

REMOVABLE CONNECTIONS



IGNITION SWITCH

POSITION	FUNCTION	CONTACT 1	CONTACT 2
POSITION	FUNCTION	CONTACT	NONE
POSITION	FUNCTION	CONTACT	L + A ₂
POSITION	FUNCTION	CONTACT	NONE
POSITION	FUNCTION	CONTACT	NONE