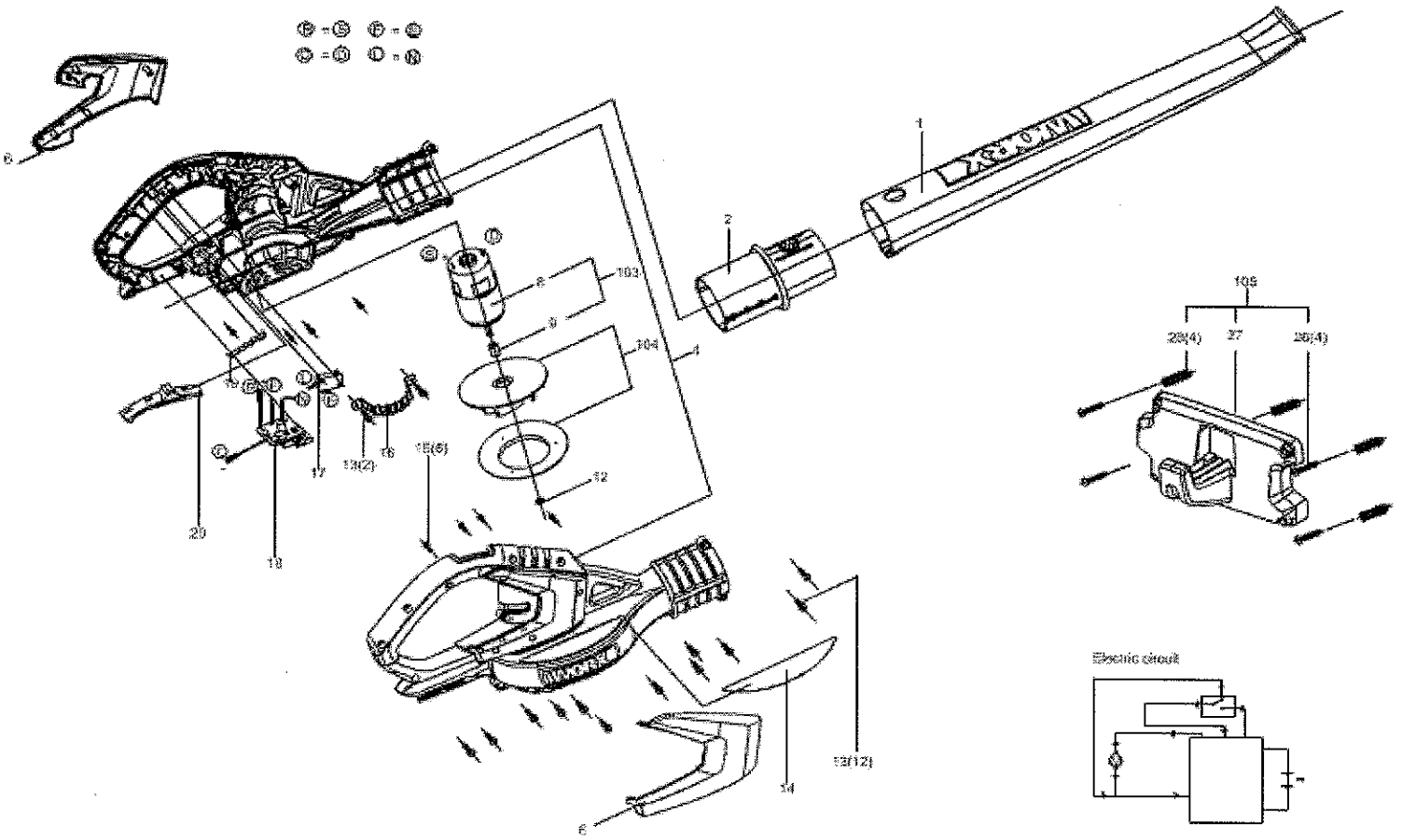




> Close > Print



WG540.9



WG540.9	1	50015779	Tube II		1
WG540.9	2	50015759	Tube I		1
WG540.9	4	50018791	Left & Right Housing		1
WG540.9	6	50015761	Left & Right Ornament Cover		1
WG540.9	8	50015762	Motor		1
WG540.9	9	50006505	Dust extractor linker		1
WG540.9	12	50015765	Nut		1
WG540.9	13	50002822	Self tapping screw		14
WG540.9	14	50018792	Label	for US	1
WG540.9	15	50018668	Self tapping screw		8
WG540.9	16	50015767	Clamp		1
WG540.9	17	50018793	Switch		1
WG540.9	18	50018794	Terminal block		1
WG540.9	19	50015769	Spring Plate		1
WG540.9	20	50015770	Push Button		1
WG540.9	26	50002950	Screw		4
WG540.9	27	50018795	Wall Bracket		1
WG540.9	28	50002585	Bolt		4
WG540.9	103	50015776	Motor Set		1
WG540.9	104	50018796	Fan Set		1
WG540.9	105	50018797	Wall Bracket Set		1